

GENERAL DESCRIPTION / APPLICATIONS

DIMENSIONS mm



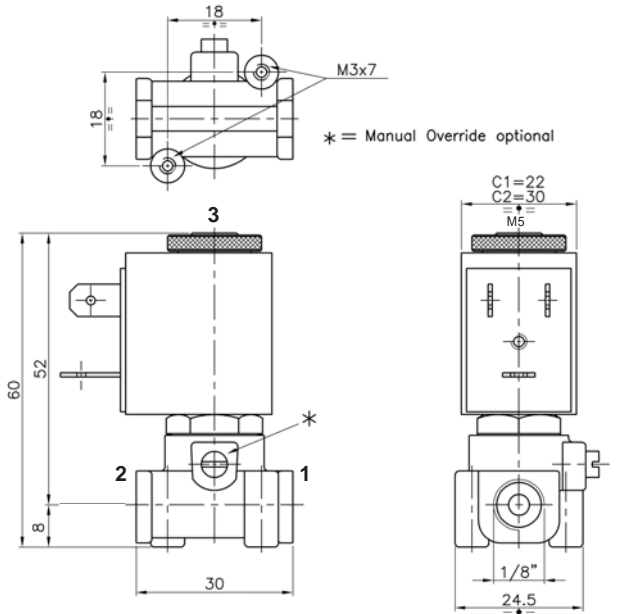
Three way direct acting solenoid valve with spring return, normally close.

Suitable for gaseous and liquid media compatible with the used material (body/seals), vacuum.

Forged brass body.
Brass guide tube.
Stainless steel internal parts.
Stainless steel springs.

Solenoid can be rotated 360°.

Valve will operate in any position.



ELETTRICAL INFORMATION

Continuous duty glass-reinforced nylon moulded coil with electrical connection suitable for DIN-43650 plug (2 poles+ground) or faston wire terminal. Two cables available on request.

Coil type:	C1
Insulation class:	F (155°C), H (180°C) on request.
Winding wire class:	H (180°C)
Protection class:	Waterproof IP-65 (norme EN60529) when properly plug conncted when DIN-43650 plug.
Duty:	Continuous (S.I.) 100% ED
Power consumption:	Alternate Current 8VA (inrush 12VA) Direct Current 5,5W
Voltage tollerance:	a.c. +10% ÷ -15%, d.c. +10% ÷ -5%
Electrical Insulation:	>500 MOhm
Dielectrical Strenght:	>2000 V/1'
Standard voltage:	d.c. 12, 24 Volt a.c. 24, 110, 230 Volt (50/60 Hz) other voltages available on request.

OPERATION

Normally closed



In :	2
Out :	1
Vent :	3
Coil de-energised :	Input 2 closed From 1 to vent 3
Coil energised :	From 2 to 1 Vent 3 closed

SPECIFICATIONS AND AVAILABLE OPTIONS

MODEL			ORIFICE mm	BODY RATING MAX.	PRESSURES IN BAR MIN. / MAX. DIFFERENZIAL PRESSURES			Flow factor kv (liters/min.)	Weight Kg
a	b	c d e f			MIN.	MAX. AC~	MAX. DC=		
C	01 B	12	1,2 (1,2)	15	0	15	15	0,65	0,14
C	01 B	15	1,5 (1,5)	10	0	10	10	1	0,14
C	01 B	20	2,0 (1,9)	6	0	6	6	1,5	0,14

a	b	c	d	e	f
Construction	Valve type	Port size G	Seals material	Body material	Optional feature
A AC C DC	C 3way	B 2 and 1 : 1/8" GAS 3 : M5	B NBR V VITON E EPDM	T Brass N Nichel-plated brass	M Manual override SG Clean for oxigene I Stainless steel guide tube