

DESCRIPTION



Two way normally closed servoassisted diaphragm solenoid valve.

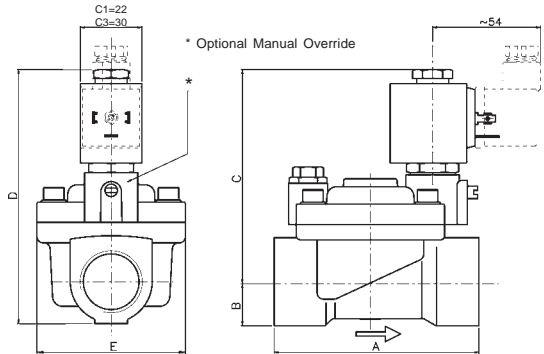
Suitable for gaseous and liquid media compatible with the (body/seals) material used.

Adjustable valve closing regulator to reduce water hammer available for size 1 1/4", 1 1/2" and 2".

Forged brass body and cover. Stainless steel guide tube, springs and internal parts.

Solenoid can be rotated 360°. Valve will operate in any position, preferably with vertical coil upwards.

DIMENSIONS mm



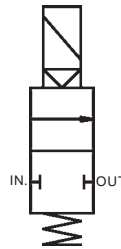
PORT SIZE	DIMENSIONS IN millimeters (mm)				
	A	B	C	D	E
3/8"	64	14	87	101	45
1/2"	64	14	87	101	45
3/4"	82	17	96	113	55
1"	100	20	103	123	70
1 1/4"	134	28	110	138	98
1 1/2"	134	28	110	138	98
2"	152	35	121	156	120

ELETTRICAL INFORMATION

Continuous duty glass-reinforced nylon moulded coil with electrical connection suitable for DIN-43650 plug (2 poles+ground) or faston wire terminal. Two cables available on request.

Coil type:	C1 / C3
Insulation class:	F (155°C), H (180°C) on request.
Winding wire class:	H (180°C)
Protection class:	Waterproof IP-65 (norme EN60529) when properly plug conncted when DIN-43650 plug.
Duty:	Continuous (S.I.) 100% ED
Power consumption:	C1 Alternate Current 8VA (inrush 12VA) Direct Current 5,5W C3 Alternate Current 13VA (inrush 20VA) Direct Current 8W
Voltage tolerance:	a.c. +10% ÷ -15%, d.c. +10% ÷ -5%
Electrical Insulation:	>500 MOhm
Dielectrical Strenight:	>2000 V/1'
Standard voltage:	d.c. 12, 24 Volt a.c. 24, 110, 230 Volt (50/60 Hz) other voltages available on request.

OPERATION



Normally close

In : IN
Out : OUT
Coil de-energised : IN and OUT close.
Coil energised : IN to OUT

SPECIFICATIONS AND AVAILABLE OPTIONS

MODEL			ORIFICE mm	PRESSURES IN BAR					Coil TYPE	POWER			Flow factor kv (l/min.)	WEIGHT Kg.
				BODY RATING	MIN./MAX. DIFFERENTIAL PRESSURE		VA inrush	W hold		W DC=				
a	b	c	d		e	f			MIN.		MAX. NORM. CLOSED AC=	DC=		
L	03	D	13											
L	03	E	13											
L	03	F	19											
L	03	G	25											
L	03	H	37											
L	03	I	37											
L	03	L	50											

a	b	c	d	e	f
Construction A AC C DC B Latching pilots * * available only from 3/8" to 1" valves.	Valve type L 2 way N.C.	Port size D 3/8" GAS N 3/8" NPT E 1/2" GAS O 1/2" NPT F 3/4" GAS Q 3/4" NPT G 1" GAS R 1" NPT H 1 1/4 GAS I 1 1/2 GAS I 1 1/2 NPT L 2" GAS V 2" NPT NPT port available only on request	Seals material B NBR V VITON E EPDM W EPM WT PX * * KTW certified for food	Body material T Brass N Nickel-plated brass I Stainless steel * * available only for 1/2" and 3/4" valves.	Optional feature M Manual override SG Clean for oxigene

Rev.ENG-00/2012 - Le caratteristiche possono subire variazioni senza preavviso. / Characteristics may change without notice.