

DESCRIPTION

DIMENSIONS mm



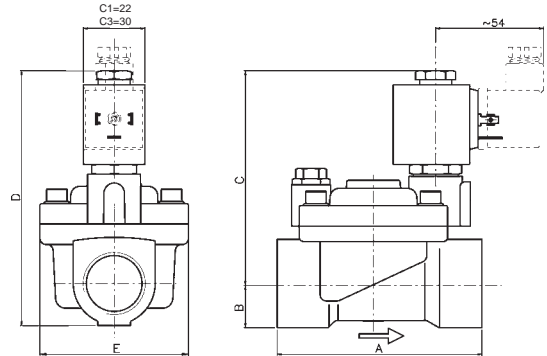
Two way normally open servoassisted diaphragm solenoid valve.

Suitable for gaseous and liquid media compatible with the (body/seals) material used.

Adjustable valve closing regulator to reduce water hammer available for size 1"¼, 1"½ and 2".

Forged brass body and cover.
Brass guide tube.
Stainless steel internal parts.
Stainless steel springs.

Solenoid can be rotated 360°.
Valve will operate in any position, preferably with vertical coil upwards.



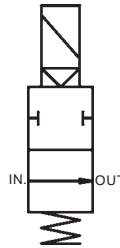
PORT SIZE	DIMENSIONS IN millimeters (mm)				
	A	B	C	D	E
3/8"	64	14	87	101	45
1/2"	64	14	87	101	45
3/4"	82	17	96	113	55
1"	100	20	103	123	70
1"¼	134	28	110	138	98
1"½	134	28	110	138	98
2"	152	35	121	156	120

ELETTRICAL INFORMATION

OPERATION

Continuous duty glass-reinforced nylon moulded coil with electrical connection suitable for DIN-43650 plug (2 poles+ground) or faston wire terminal. Two cables available on request.

Coil type:	C1 / C3
Insulation class:	F (155°C), H (180°C) on request.
Winding wire class:	H (180°C)
Protection class:	Waterproof IP-65 (norme EN60529) when properly plug connected when DIN-43650 plug.
Duty:	Continuous (S.I.) 100% ED
Power consumption:	C1 Alternate Current 8VA (inrush 12VA) Direct Current 5,5W C3 Alternate Current 13VA (inrush 20VA) Direct Current 8W
Voltage tolerance:	a.c. +10% ÷ -15%, d.c. +10% ÷ -5%
Electrical Insulation:	>500 MOhm
Dielectric Strength:	>2000 V/1'
Standard voltage:	d.c. 12, 24 Volt a.c. 24, 110, 230 Volt (50/60 Hz) other voltages available on request.



Normally open

In : I N
Out : O U T
Coil de-energised : I N to O U T
Coil energised : I N and O U T close.

SPECIFICATIONS AND AVAILABLE OPTIONS

MODEL	ORIFICE mm	PRESSURES IN BAR							Flow factor kv (l/min.)	WEIGHT Kg.	
		BODY RATING	MIN./MAX. DIFFERENTIAL PRESSURE			Coil TYPE	POWER				
			MIN.	MAX. NORM. CLOSED AC~	DC=		VA AC~	W DC=			W DC=
a b N 03 D c d 13 e f	12,7	25	0,15	16	10	C1	12	8	5,5	35	0,49
N 03 E 13	12,7	25	0,15	16	10	C1	12	8	5,5	40	0,47
N 03 F 19	19	25	0,15	12	10	C1	12	8	5,5	90	0,74
N 03 G 25	25	25	0,15	9	5	C1	12	8	5,5	176	1,20
N 03 H 37	37	20	0,15	10	10	C3	20	13	8	300	3,05
N 03 I 37	37	20	0,15	10	10	C3	20	13	8	350	2,70
N 03 L 50	50	20	0,15	10	10	C3	20	13	8	600	4,61

a	b	c	d	e	f
Construction A AC C DC	Valve type N 2 way N.O.	Port size D 3/8" GAS N 3/8" NPT E 1/2" GAS O 1/2" NPT F 3/4" GAS Q 3/4" NPT G 1" GAS R 1" NPT H 1"¼ GAS I 1"½ GAS I 1"½ NPT L 2" GAS V 2" NPT <i>NPT port available only on request</i>	Seals material B NBR V VITON E EPDM W EPM WT PX * <i>* KTW certified for food</i>	Body material T Brass N Nickel-plated brass	Optional feature SG Clean for oxigene

Rev.ENG-00/2012 - Le caratteristiche possono subire variazioni senza preavviso. / Characteristics may change without notice.