

ACCESSORI ISO15552

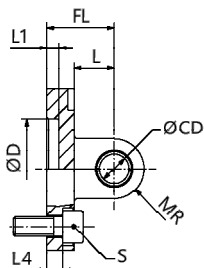
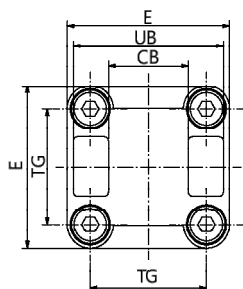
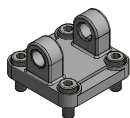
ISO15552 MOUNTING ACCESSORIES

CHIAVE DI CODIFICA / KEY CODE

Tipologia Type	Ø Cilindro Cylinder Ø	Materiale Material	Fornitura Supply condition	Packaging Packaging
CFE	050	S	0	S
CFE Cerniera femmina MP2 Female hinge MP2	032 Ø32	A Alluminio Aluminum	0 Solo corpo Only accessory	S Pacchetto singolo Single bag
CMA Cerniera maschio MP4 Male hinge MP4	...	S Acciaio Steel	1 Con viti With screws	B Componenti sciolti Bulk
ARQ Articolazione a squadra AB7 Square joint AB7	320 Ø320		2 Con viti e perno With screws and pin	
PRI Perno ISO AA4 ISO Pin AA4				
CFS Cerniera femmina stretta AB7 Narrow female hinge AB7				
CMS Cerniera maschio snodata MP6 Male hinge w spherical head MP6				
PRA Perno antirotazione AA6 Antirotation pin AA6				
CMC Cerniera maschio per compatti Male hinge for compacts				
ARS Articolazione a squadra snodata Square joint w spherical head				
FL2 Flangia MF1-MF2 Flange MF1-MF2				
PDB Piedino basso MS1 Low-rise pedestral MS1				
FL8 Flangia collegamento tandem Flange for tandem construction				

CERNIERA FEMMINA CON BUSSOLE MP2 FEMALE HINGE MP2 WITH BUSHES

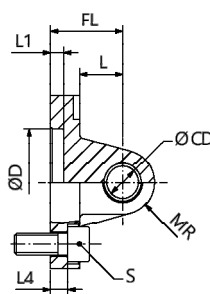
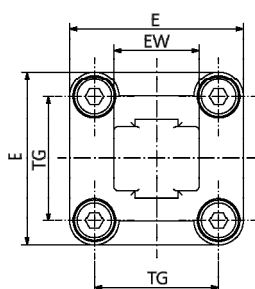
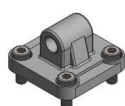
CFE A



Ø	COD	TG	CB	UB	ØCD	FL	L	ØD	L1	L4	S	MR	E
32	CFE032A	32,5	26	45	10	22	13	30	5	5,5	M6X20	10	45
40	CFE040A	38	28	52	12	25	16	35	5	5,5	M6X20	12	52
50	CFE050A	46,5	32	60	12	27	16	40	5	6,5	M8X20	12	65
63	CFE063A	56,5	40	70	16	32	21	45	5	6,5	M8X20	16	75
80	CFE080A	72	50	90	16	36	22	45	5	10	M10X25	16	95
100	CFE100A	89	60	110	20	41	27	55	5	10	M10X25	20	115
125	CFE125A	110	70	130	25	50	30	60	7	10	M12X25	25	140
160	CFE160A	140	90	170	30	55	35	65	7	10	M16X30	25	180
200	CFE200A	175	90	170	30	60	35	75	7	11	M16X30	25	220
250	CFE250A	220	110	200	40	70	45	90	-	11	M20X35	40	270
320	CFE320A	270	120	220	45	80	50	110	-	15	M24X40	45	350

CERNIERA MASCHIO CON BUSSOLE MP4 MALE HINGE MP4 WITH BUSHES

CMA A



Ø	COD	TG	EW	ØCD	FL	L	ØD	L1	L4	S	MR	E
32	CMA032A	32,5	26	10	22	13	30	5	5,5	M6X20	10	45
40	CMA040A	38	28	12	25	16	35	5	5,5	M6X20	12	52
50	CMA050A	46,5	32	12	27	16	40	5	6,5	M8X20	12	65
63	CMA063A	56,5	40	16	32	21	45	5	6,5	M8X20	16	75
80	CMA080A	72	50	16	36	22	45	5	10	M10X25	16	95
100	CMA100A	89	60	20	41	27	55	5	10	M10X25	20	115
125	CMA125A	110	70	25	50	30	60	7	10	M12X25	25	140
160	CMA160A	140	90	30	55	35	65	7	10	M16X30	25	180
200	CMA200A	175	90	30	60	35	75	7	11	M16X30	25	220
250	CMA250A	220	110	40	70	45	90	11	11	M20X35	40	270
320	CMA320A	270	120	45	80	50	110	15	15	M24X40	45	350

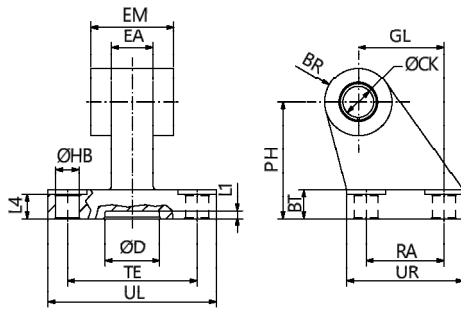
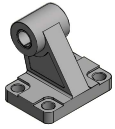
ACCESSORI ISO15552

ISO15552 MOUNTING ACCESSORIES

ARTICOLAZIONE A SQUADRA CON BUSSOLE AB7

SQUARE JOINT WITH BUSHES AB7

ARQ A

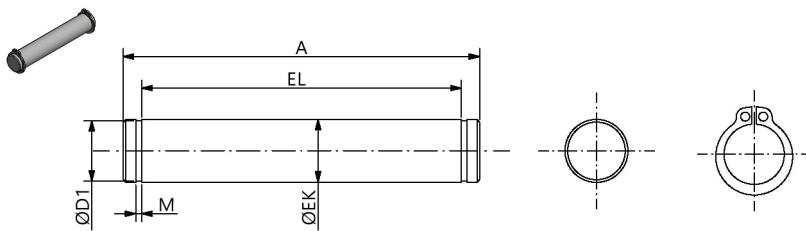


Ø	COD	ØCK	EM	BR	PH	GL	ØHB	L4	BT	TE	RA	ØD	L1	UL	UR	EA
32	ARQ032A	10	26	10	32	21	6,6	6,4	8	38	18	21	3	51	31	10
40	ARQ040A	12	28	11	36	24	6,6	8,4	10	41	22	21	3	54	35	15
50	ARQ050A	12	32	13	45	33	9	10,4	12	50	30	21	3	65	45	16
63	ARQ063A	16	40	15	50	37	9	12,4	14	52	35	21	3	67	50	16
80	ARQ080A	16	50	15	63	47	11	11,5	14	66	40	21	3	86	60	20
100	ARQ100A	20	60	19	71	55	11	14,5	17	76	50	11	3	96	70	20
125	ARQ125A	25	70	22,5	90	70	14	16,8	20	94	60	21	3	124	90	30
160	ARQ160A	30	90	31,5	115	97	14	21	25	118	88	31	5	156	126	36
200	ARQ200A	30	90	31,5	135	105	18	26	30	122	90	31	5	162	130	40

PERNO ISO AA4

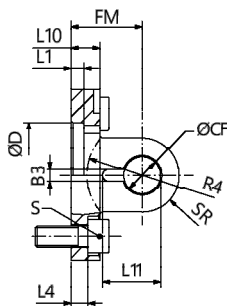
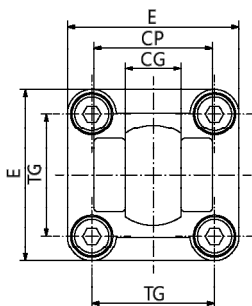
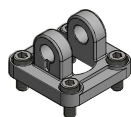
ISO PIN AA4

PRI S



Ø	COD	ØEK	EL	ØD1	M	A
32	PRI032	10	46	9,6	1,1	53
40	PRI040	12	53	11,5	1,1	60
50	PRI050	12	61	11,5	1,1	68
63	PRI063	16	71	15,2	1,1	78
80	PRI080	16	91	15,2	1,1	98
100	PRI100	20	111	19	1,3	118
125	PRI125	25	132	23,9	1,3	139
160-200	PRI160	30	172	28,6	1,6	180
250	PRI250	40	202	37,5	1,85	214
320	PRI320	45	222	42,5	1,85	234

CERNIERA FEMMINA STRETTA AB6 NARROW FEMALE HINGE AB6

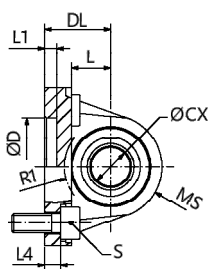
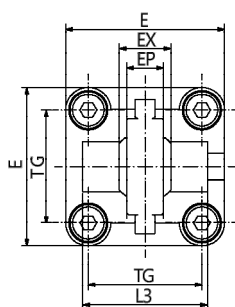
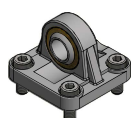


CFS A



Ø	COD	E	CP	CG	TG	FM	L1	L10	L4	ØD	ØCF	B3	L11	SR	R4	S
32	CFS032A	45	34	14	32,5	22	5	9	5,5	30	10	3,3	16,5	9,5	17	M6X20
40	CFS040A	52	40	16	38	25	5	9	5,5	35	12	4,3	18	12	20	M6X20
50	CFS050A	65	45	21	46,5	27	5	11	6,5	40	16	4,3	23	14	22	M8X20
63	CFS063A	75	51	21	56,5	32	5	11	6,5	45	16	4,3	23	17	25	M8X20
80	CFS080A	95	65	25	72	36	5	14	10	45	20	4,3	27	21	30	M10X25
100	CFS100A	115	75	25	89	41	5	14	10	55	20	4,3	27	21	32	M10X25
125	CFS125A	140	97	37	110	50	7	20	10	60	30	6,3	40	29	42	M12X25

CERNIERA MASCHIO CON TESTINA SNODATA MP6 MALE HINGE MP6 WITH SPHERICAL HEAD



CMS A



Ø	COD	TG	ØCX	DL	L	EX	EP	S	L4	D	L1	E	MS	L3	R1
32	CMS032A	32,5	10	22	12	14	10,5	M6X20	5,5	30	7	45	16	-	-
40	CMS040A	38	12	25	15	16	12	M6X20	5,5	35	7	52	18	-	-
50	CMS050A	46,5	16	27	15	21	15	M8X20	6,5	40	7	65	21	51	19
63	CMS063A	56,5	16	32	20	21	15	M8X20	6,5	45	7	75	23	-	-
80	CMS080A	72	20	36	20	25	18	M10X25	10	45	9	95	28	74	24
100	CMS100A	89	20	41	25	25	18	M10X25	10	55	9	115	30	140	32
125	CMS125A	110	30	50	30	37	25	M12X25	10	60	9	140	40	-	-
160	CMS160A	140	35	55	35	43	30	M16X30	10	65	7	180	44	-	-
200	CMS200A	175	35	60	35	43	30	M16X30	11	75	7	220	47	220	48

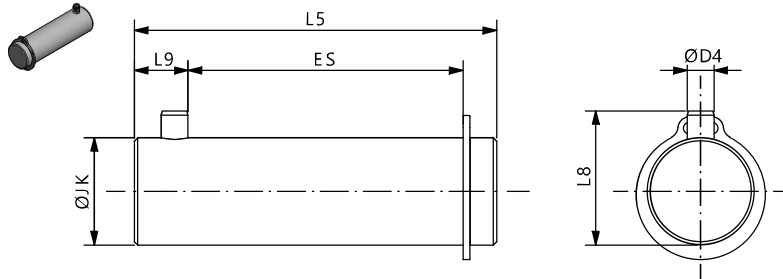
ACCESSORI ISO15552

ISO15552 MOUNTING ACCESSORIES

PERNO ANTIROTAZIONE AA6

ANTIROTATION PIN AA6

PRA S

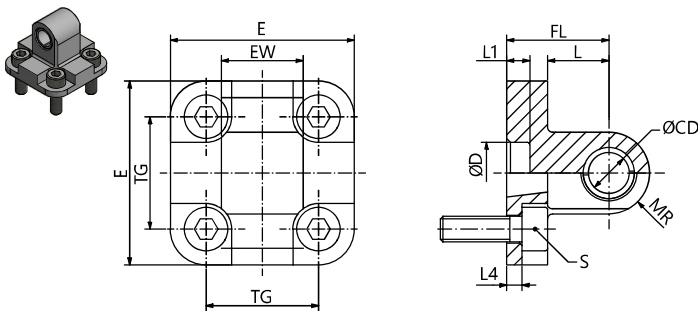


Ø	COD	ØD4	L8	ØJK	L5	L9	ES
32	PRA032	3	14	10	41	6,5	30,5
40	PRA040	4	16	12	48	8	36
50	PRA050	4	20	16	54	8	41
63	PRA063	4	20	16	60	8	47
80	PRA080	4	24	20	75	8	61
100	PRA100	4	24	20	85	8	71
125	PRA125	6	36	30	110	12	91

CERNIERA MASCHIO MP4 PER COMPATTI

MALE HINGE MP4 FOR COMPACTS

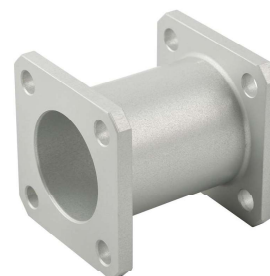
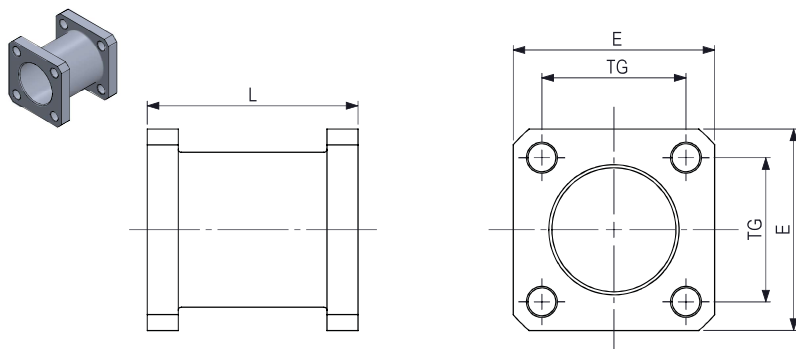
CMC A



Ø	COD	E	TG	EW	FL	L1	L4	ØD	S	MR	ØCD
20	CMC020A	36	22	16	20	4,5	3	12	M5X16	8	8
25	CMC025A	39,5	26	16	20	4,5	3	12	M5X16	8	8

FLANGIA PER COLLEGAMENTO TANDEM FLANGE FOR TANDEM ASSEMBLING

FL8 A



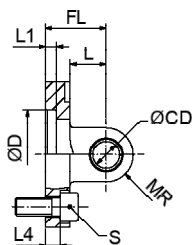
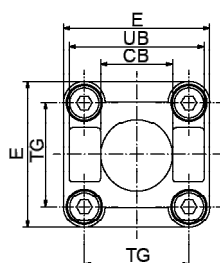
Ø	COD	EE	TG	L
32	FL8032A0S	45	32,5	55
40	FL8040A0S	52	38	55
50	FL8050A0S	65	46,5	68
63	FL8063A0S	75	56,5	68
80	FL8080A0S	95	72	92
100	FL8100A0S	115	89	92
125	FL8125A0S	140	110	120

ACCESSORI ISO15552

ISO15552 MOUNTING ACCESSORIES

CERNIERA FEMMINA MP2

FEMALE HINGE MP2



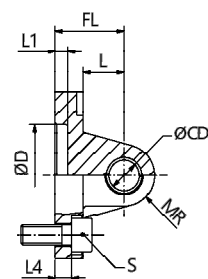
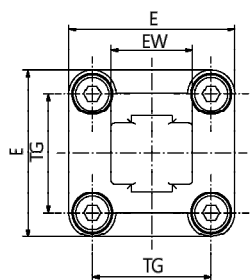
CFE S



Ø	COD	TG	CB	UB	ØCD	FL	L	ØD	L1	L4	S	MR	E
32	CFE032S	32,5	26	45	10	22	13	30	5	5,5	M6X20	10	45
40	CFE040S	38	28	52	12	25	16	35	5	5,5	M6X20	12	55
50	CFE050S	46,5	32	60	12	27	16	40	5	6,5	M8X20	12	65
63	CFE063S	56,5	40	70	16	32	21	45	5	6,5	M8X20	16	75
80	CFE080S	72	50	90	16	36	22	45	5	10	M10X25	16	95
100	CFE100S	89	60	110	20	41	27	55	5	10	M10X25	20	115
125	CFE125S	110	70	130	25	50	30	60	7	10	M12X25	25	140
160	CFE160S	140	90	170	30	55	35	65	7	10	M16X30	25	180
200	CFE200S	175	90	170	30	60	35	75	7	11	M16X30	25	220
250	CFE250S	220	110	200	40	70	45	90	-	11	M20X35	40	270
320	CFE320S	270	120	220	45	80	50	110	-	15	M24X40	45	350

CERNIERA MASCHIO MP4

MALE HINGE MP4

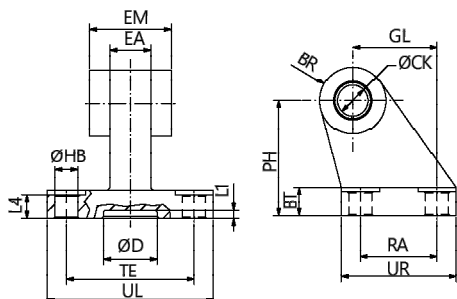


CMA S



Ø	COD	TG	EW	ØCD	FL	L	ØD	L1	L4	S	MR	E
32	CMA032S	32,5	26	10	22	13	30	5	5,5	M6X20	10	45
40	CMA040S	38	28	12	25	16	35	5	5,5	M6X20	12	55
50	CMA050S	46,5	32	12	27	16	40	5	6,5	M8X20	12	65
63	CMA063S	56,5	40	16	32	21	45	5	6,5	M8X20	16	75
80	CMA080S	72	50	16	36	22	45	5	10	M10X25	16	95
100	CMA100S	89	60	20	41	27	55	5	10	M10X25	20	115
125	CMA125S	110	70	25	50	30	60	7	10	M12X25	25	140
160	CMA160S	140	90	30	55	35	65	7	10	M16X30	25	180
200	CMA200S	175	90	30	60	35	75	7	11	M16X30	25	220
250	CMA250S	220	110	40	70	45	90	11	11	M20X35	40	270
320	CMA320S	270	120	45	80	50	110	15	15	M24X40	45	350

ARTICOLAZIONE A SQUADRA AB7 SQUARE JOINT AB7

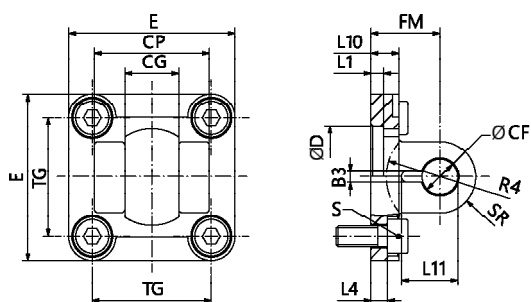


ARQ S



Ø	COD	ØCK	EM	BR	PH	GL	ØHB	L4	BT	TE	RA	ØD	L1	UL	UR	EA
32	ARQ032S	10	26	10	32	21	6,6	6,5	8	38	18	20	5	51	31	8,5
40	ARQ040S	12	28	11	36	24	6,6	8,5	10	41	22	25	5	54	35	10
50	ARQ050S	12	32	13	45	33	9	10,5	12	50	30	30	5	65	45	13,5
63	ARQ063S	16	40	15	50	37	9	10,5	12	52	35	35	5	67	50	13,5
80	ARQ080S	16	50	15	63	47	11	11,5	14	66	40	45	5	86	60	15
100	ARQ100S	20	60	19	71	55	11	12,5	15	76	50	55	5	96	70	15
125	ARQ125S	25	70	22,5	90	70	14	17	20	94	60	35	11	124	90	48
160	ARQ160S	30	90	31,5	115	97	14	21	25	118	88	55	12	156	126	70
200	ARQ200S	30	90	31,5	135	105	18	26	30	122	90	55	14	162	130	70

CERNIERA FEMMINA STRETTA AB6 NARROW FEMALE HINGE AB6



CFS S



Ø	COD	E	CP	CG	TG	FM	L1	L10	L4	ØD	ØCF	B3	L11	SR	R4	S
32	CFS032S	45	34	14	32,5	22	5	8	5,5	30	10	3,3	16,5	9,5	17	M6X20
40	CFS040S	55	40	16	38	25	5	8	5,5	35	12	4,3	18	12	20	M6X20
50	CFS050S	65	45	21	46,5	27	5	10	6,5	40	16	4,3	23	14	22	M8X20
63	CFS063S	75	51	21	56,5	32	5	10	6,5	45	16	4,3	23	17	25	M8X20
80	CFS080S	95	65	25	72	36	5	13	10	45	20	4,3	27	21	30	M10X25
100	CFS100S	115	75	25	89	41	5	13	10	55	20	4,3	27	21	32	M10X25
125	CFS125S	140	97	37	110	50	7	16	10	60	30	6,3	40	29	42	M12X25
160	CFS160S	180	122	43	140	55	7	20	10	65	35	6,3	-	30	-	M16X30
200	CFS200S	220	122	43	175	60	7	20	11	75	35	6,3	-	30	-	M16X30
250	CFS250S	270	125	49	220	70	11	25	11	90	40	8,3	-	40	-	M20X35
320	CFS320S	350	150	60	270	80	11	30	15	110	50	8,3	-	50	-	M24X40

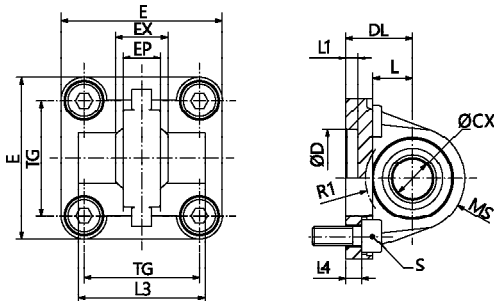
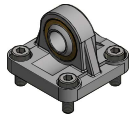
ACCESSORI ISO15552

ISO15552 MOUNTING ACCESSORIES

CERNIERA MASCHIO CON TESTINA SNODATA MP6

MALE HINGE WITH SPHERICAL HEAD MP6

CMS S

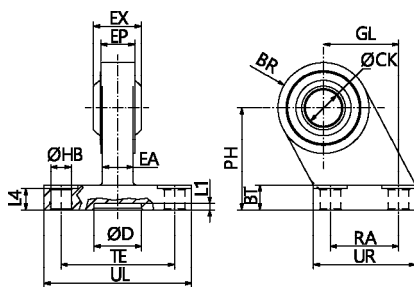


Ø	COD	TG	ØCX	DL	L	EX	EP	S	L4	D	L1	E	MS	L3	R1
32	CMS032S	32,5	10	22	12	14	10,5	M6X20	5,5	30	5	45	16	-	-
40	CMS040S	38	12	25	15	16	12	M6X20	5,5	35	5	55	18	-	-
50	CMS050S	46,5	16	27	15	21	15	M8X20	6,5	40	5	65	21	51	19
63	CMS063S	56,5	16	32	20	21	15	M8X20	6,5	45	5	75	23	-	-
80	CMS080S	72	20	36	20	25	18	M10X25	10	45	5	95	28	70	24
100	CMS100S	89	20	41	25	25	18	M10X25	10	55	5	115	30	-	-
125	CMS125S	110	30	50	30	37	25	M12X25	10	60	7	140	40	102	35
160	CMS160S	140	35	55	35	43	28	M16X30	10	65	7	180	44	-	-
200	CMS200S	175	35	60	35	43	28	M16X30	11	75	7	220	47	-	-
250	CMS250S	220	40	70	-	49	35	M20X35	11	90	11	270	-	-	-
320	CMS320S	270	50	80	-	60	45	M24X40	15	110	11	350	-	170	56

ARTICOLAZIONE A SQUADRA CON TESTINA SNODATA

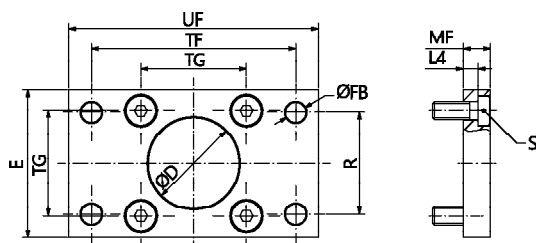
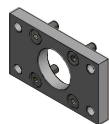
SQUARE JOINT WITH SPHERICAL HEAD

ARS S

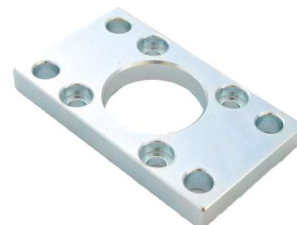


Ø	COD	ØHB	RA	UR	GL	BT	PH	TE	UL	BR	EP	ØCK	L4	ØD	L1	EA	EX
32	ARS032S	6,6	18	31	21	10	32	38	51	15	10,5	10	8,5	20	5	8,5	14
40	ARS040S	6,6	22	35	24	10	36	41	54	18	12	12	8,5	25	5	10	16
50	ARS050S	9	30	45	33	12	45	50	65	20	15	16	10,5	30	5	13,5	21
63	ARS063S	9	35	50	37	12	50	52	67	23	15	16	10,5	30	5	13,5	21
80	ARS080S	11	40	60	47	14	63	66	86	27	18	20	11,5	45	5	15	25
100	ARS100S	11	50	70	55	15	71	76	96	30	18	20	12,5	55	5	15	25
125	ARS125S	13,5	60	90	70	20	90	94	124	40	25	30	17	65	7	20	37
160	ARS160S	14	88	125	97	25	115	118	156	42	28	35	21	-	-	30	43
200	ARS200S	18	90	130	105	30	135	122	162	42	28	35	26	-	-	30	43
250	ARS250S	22	110	160	128	35	165	150	200	52	35	40	31	-	-	35	49
320	ARS320S	26	122	180	150	40	200	170	230	62	45	50	36	-	-	45	60

FLANGIA MF1-MF2 FLANGE MF1-MF2

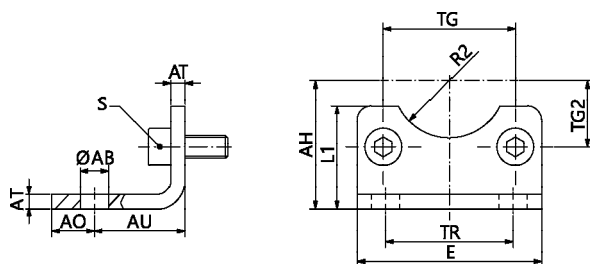


FL2 S



Ø	COD	TG	ØD	ØFB	R	TF	L4	S	UF	E	MF
32	FL2032S	32,5	30	7	32	64	5	M6X20	80	45	10
40	FL2040S	38	35	9	36	72	5	M6X20	90	52	10
50	FL2050S	46,5	40	9	45	90	6,5	M8X20	110	65	12
63	FL2063S	56,5	45	9	50	100	6,5	M8X20	120	75	12
80	FL2080S	72	45	12	63	126	9	M10X25	150	95	16
100	FL2100S	89	55	14	75	150	9	M10X25	170	115	16
125	FL2125S	110	60	16	90	180	10,5	M12X25	205	140	20
160	FL2160S	140	65	18	115	230	9,5	M16X30	260	180	20
200	FL2200S	175	75	22	135	270	12,5	M16X30	300	220	25
250	FL2250S	220	90	26	165	330	10,5	M20X35	400	285	25
320	FL2320S	270	110	33	200	400	15	M24X40	470	350	30

PIEDINO BASSO MS1 LOW-RISE PEDESTAL MS1



PDB S



Ø	COD	TG	TG2	AH	R2	ØAB	AO	AU	TR	AT	S	L1	E
32	PDB032S	32,5	16,25	32	15	7	11	24	32	4	M6X16	30	45
40	PDB040S	38	19	36	17,5	10	8	28	36	4	M6X16	30	52
50	PDB050S	46,5	23,25	45	20	10	15	32	45	5	M8X20	36	65
63	PDB063S	56,5	28,25	50	22,5	10	13	32	50	5	M8X20	35	75
80	PDB080S	72	36	63	22,5	12	14	41	63	6	M10X20	47	95
100	PDB100S	89	44,5	71	27,5	14,5	16	41	75	6	M10X20	53	115
125	PDB125S	110	55	90	30	16,5	25	45	90	8	M12X25	70	140
160	PDB160S	140	70	115	32,5	18,5	15	60	115	10	M16X30	100	180
200	PDB200S	175	87,5	135	37,5	24	30	70	135	12	M16X30	109	220

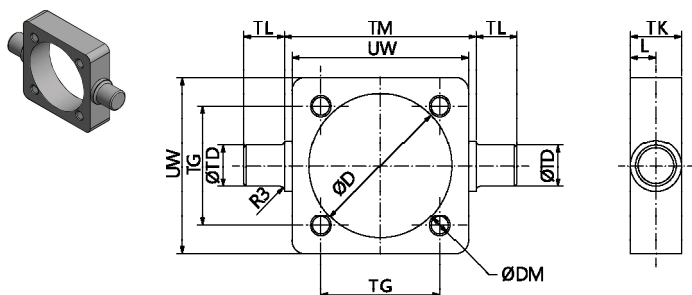
ACCESSORI ISO15552

ISO15552 MOUNTING ACCESSORIES

CHIAVE DI CODIFICA / KEY CODE

Tipologia Type	Ø Cilindro Cylinder Ø	Materiale Material	Fornitura Supply condition	Packaging Packaging
CIA	050	S	0	S
⋮	⋮	⋮	⋮	⋮
CIF Cerniera intermedia fissa <i>Intermediate not-adjust. hinge</i>	032 Ø32	S Acciaio <i>Steel</i>	0 Standard <i>Standard</i>	S Pacchetto singolo <i>Single bag</i>
CIR Cerniera intermedia regolabile <i>Adjustable intermediate hinge</i>	...			B Componenti sciolti <i>Bulk</i>
COS Cerniera anteriore-posteriore <i>Front-rear hinge</i>	320 Ø320			
CIA Cerniera intermedia profilata <i>Profiled intermediate hinge</i>				
SCI Supporto per cerniera <i>Support for intermediate hinge</i>				

CERNIERA INTERMEDIA FISSA MT4 NOT-ADJUSTABLE INTERMEDIATE HINGE MT4

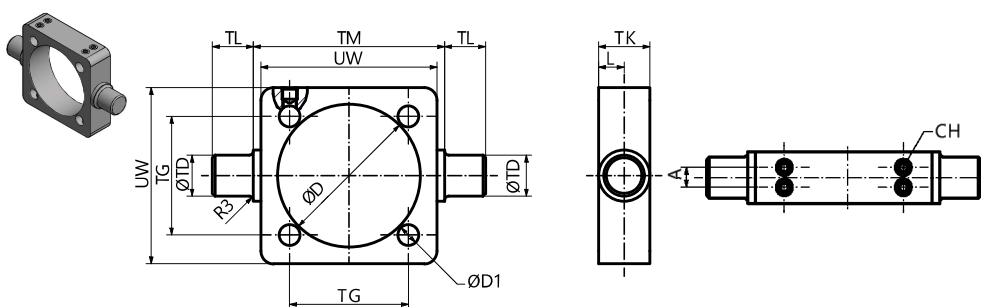


CIF S

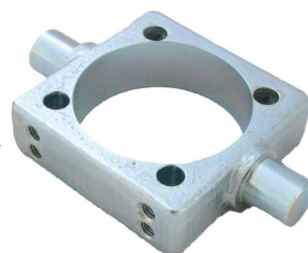


Ø	COD	TG	TM	TL	TK	ØTD	ØD	ØDM	UW
32	CIF032S	32,5	50	12	15	12	37	M6	46
40	CIF040S	38	63	16	20	16	46	M6	59
50	CIF050S	46,5	75	16	20	16	56	M8	69
63	CIF063S	56,5	90	20	25	20	69	M8	84
80	CIF080S	72	110	20	25	20	87	M10	102
100	CIF100S	89	132	25	30	25	107	M10	125
125	CIF125S	110	160	25	32	25	134	M12	155
160	CIF160S	140	200	32	40	32	171	M16	190
200	CIF200S	175	250	32	40	32	214	M16	240
250	CIF250S	220	320	40	56	40	268	M20	304
320	CIF320S	270	400	50	70	50	343	M24	370

CERNIERA INTERMEDIA REGOLABILE MT4 ADJUSTABLE INTERMEDIATE HINGE MT4



CIR S



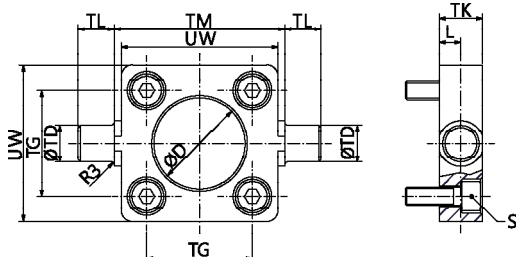
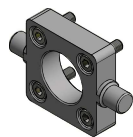
Ø	COD	TG	TM	TL	TK	ØTD	ØD	ØD1	UW
32	CIR032S	32,5	50	12	15	12	37	6,25	46
40	CIR040S	38	63	16	20	16	46	6,25	59
50	CIR050S	46,5	75	16	20	16	56	8,25	69
63	CIR063S	56,5	90	20	25	20	69	8,25	84
80	CIR080S	72	110	20	25	20	87	10,25	102
100	CIR100S	89	132	25	30	25	107	10,25	125
125	CIR125S	110	160	25	32	25	134	12,25	155
160	CIR160S	140	200	32	40	32	171	16,25	190
200	CIR200S	175	250	32	40	32	214	16,25	240
250	CIR250S	220	320	40	56	40	268	20,25	304
320	CIR320S	270	400	50	70	50	343	24,25	370

ACCESSORI ISO15552

ISO15552 MOUNTING ACCESSORIES

CERNIERA ANTERIORE-POSTERIORE MT5-MT6

FRONT-REAR HINGE MT5-MT6



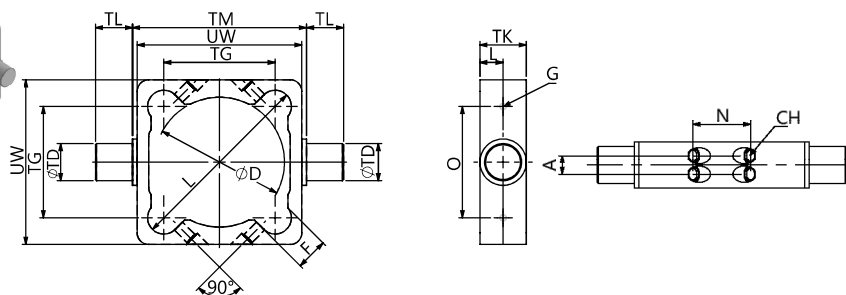
COS S



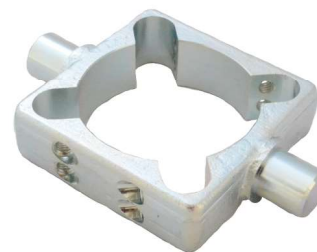
Ø	COD	TG	UW	TM	TL	ØTD	ØD	TK	R3	L	S
32	COS032S	32,5	46	50	12	12	30	14	1	6,5	M6X20
40	COS040S	38	59	63	16	16	35	19	1,5	9	M6X25
50	COS050S	46,5	69	75	16	16	40	19	1,6	9	M8X25
63	COS063S	56,5	84	90	20	20	45	24	1,6	11,5	M8X30
80	COS080S	72	102	110	20	20	45	24	1,6	11,5	M10X30
100	COS100S	89	125	132	25	25	55	29	2	14	M10X35
125	COS125S	110	150	160	25	25	60	30	2	15	M12X35
160	COS160S	140	180	200	32	32	65	40	2,5	20	M16X45
200	COS200S	175	250	250	32	32	75	40	2,5	20	M16X45

CERNIERA INTERMEDIA SAGOMATA PER SERIE SA

PROFILED INTERMEDIATE HINGE FOR SA SERIES



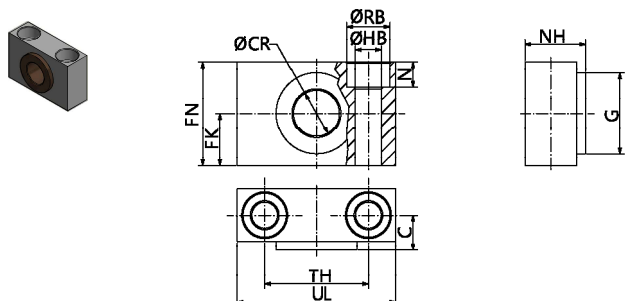
CIA S



Ø	COD	TG	UW	TK	ØTD	TL	TM	ØD	L	CH	F	N	A	O
32	CIA032S	33	48,5	18	12	12	50	37	57	M5	11	15,5	7	-
40	CIA040S	38	59	20	16	16	63	46	64	M6	11	20	8	-
50	CIA050S	48	71	20	16	16	75	56	82	M6	14	22,5	8	-
63	CIA063S	58	84	26	20	20	90	69	96	M6	14	30	12	-
80	CIA080S	73	105	26	20	20	110	87	119	M6	16	45	12	58
100	CIA100S	91	129	32	25	25	132	107	144,5	M8	17	60	15	74
125	CIA125S	116	154	33	25	25	160	133	181	M8	18	85,5	15	104

SUPPORTO PER CERNIERA INTERMEDIA AT4 SUPPORT FOR INTERMEDIATE HINGE AT4

SCI S



Ø	COD	UL	FN	FK	TH	ØRB	ØHB	N	NH	C	CR	G
32	SCI032S	46	30	15	32	11	6,6	7	18	10,2	12	22
40-50	SCI040S	55	36	18	36	15	9	9	21	12	16	28
63-80	SCI063S	65	40	20	42	18	11	11	23	13	20	32
100-125	SCI100S	75	50	25	50	20	14	13	28,5	16	25	39
160-200	SCI160S	92	60	30	60	26	17,7	17	40	22,5	32	48
250	SCI250S	140	70	35	90	33	22	20	56	31	40	60
320	SCI320S	150	80	40	100	39	26	25	60	32,5	50	70