



ANNEX - B

TECHNICAL DATA SHEETS



ALUMINIUM - Quick easy reliable

Code	Description	Pag.	D16	D20	D25	D32	D40	D50	D63	D80	D110	D168,3	D220
QLTUAL	Blue Aluminium pipe	4	●	●	●	●	●	●	●	●	●	●	●
QLTUALGY	Grey Aluminium pipe		●	●	●	●	●	●	●	●			
QLTUALG	Green Aluminium pipe		●	●									
QLSCI	Double bend (aluminium), Blue		●	●	●								
QLMAAL	Coupling	5		●	●	●	●	●	●	●	●	●	●
QLMASAL	Sliding coupling					●	●	●	●	●	●		
QLGO90AL	90° Elbow			●	●	●	●	●	●	●	●	●	●
QLGO45AL	45° Elbow	6		●	●	●	●					●	●
QLGO90MAL	90° Elbow, male threaded			1/2"	1/2" 3/4"								
QLGO45FAL	45° Elbow, female threaded			1/2"	1/2" 3/4"								
QLCAAL	End cap	7		●	●	●	●	●	●	●	●		
QLTEAL	90° Tee			●	●	●	●	●	●	●	●	●	●
QLTPAL	Threaded Tee, female thread			1/2"	3/4"	1"	1.1/4"	1.1/2"	2"	2.1/2"	3"		
QLTRAL	Reducing Tee in aluminium	8			20	20	20 25	20 25	20 25				
QLMNPAL	Nipple socket - aluminium body			1/2"	3/4"	1"	1.1/4"	1.1/2"					
QLRIDTU	Reduction pipe - male/male connection			16	16 20	20 25	25 32	32 40	40 50	50 63			
QLMNMAL	Nipple socket - male threaded	9		1/2" 3/4"	3/4" 1"	1.1/4"	1.1/2"	2"	2" 2.1/2"	2.1/2" 3"			
QLMPMAL	Nipple socket - female threaded			1/2" 3/4"	3/4" 1"	1.1/4"	1.1/2"	2"	2" 2.1/2"				
QLMAAL	Coupling diam. 110 mm	10									●		
QLGO90AL	90° Elbow diam. 110 mm											●	
QLTEAL	90° Tee diam. 110 mm											●	
QLTPAL	90° threaded Tee diam. 110 mm											3"	
QLMFLAL	Flanged coupling	11							2"	3"			
QLMFLAL	Flanged coupling diam. 110 mm											4"	
QLTFLAL	Flanged Tip										3"	4"	
QLRIDTU	Reduction pipe, male/male connection											50 63 80	

Code	Description	Pag.	D16	D20	D25	D32	D40	D50	D63	D80	D110	D168,3	D220
QLMAAL	Straight Union Coupling	12										●	●
QLGO90AL	90° Elbow grooved ends											●	●
QLTEAL	Equal Tee grooved ends											●	●
QLFLA	Flanged adapter DIN flange	13										●	●
QLGO45AL	45° Elbow grooved ends											●	●
QLRIDTU	Reduction groove 168,3/220 mm groove	14										63 80 100	80 110 168,3
QLDER	Quick branch plug f. thread											●	●
QLCAAL	End cap grooved end											●	●
DIRAPMAL	Single port manifold, female threads	15	●	●									
DIRAPFRLAL	Three port manifold		●	●									
DIRAPLAL	Four port manifold		●	●									
DIRPMUAL120	Five port manifold		●	●									
DIRPMUAL200	Seven port manifold	16	●	●									
APLALL	Double port manifold, female threads		●	●									
APLALLMUL	Five port manifold, female threads		●	●									
QLVAINOX	Quick Line steel ball valve	17			●	●	●	●	●	●			
QLVAINOXF	Quick Line steel ball valve, f.				1"	1.1/2"	1.1/2"	2"	2"	3"			
QLVAMAL	QL male threaded connection ball valve		1.1/2"	1.1/2"	3/4"								
QLVALFAR	Butterfly valve (WAFER)	18							●	●	●	●	●
QLVALFARL	Butterfly valve (LUG)								●	●	●	●	●
QLVAFAL	QL female threaded connection ball valve		1.1/2"	1.1/2"	3/4"								
QLVASS	Quick Line S.S. ball valve	19		●	●	●	●	●	●	●			
QLVASSM	Quick Line S.S. ball valve, male threads		3/4"	1"	1.1/4"	1.1/2"	2"	2.1/2"	3"				
QLVASSF	Quick Line S.S ball valve, female threads		3/4"	1"	1.1/4"	1.1/2"	2"	2.1/2"	3"				
QLDERAL	Quick branch plug with aluminium nut	20			20	20	20 25	20 25	20 25 32	20 25 32	20 25 32		
DIRDERFF	Quick branch plug, f thread outlet		1/2"	1/2"	1/2" 3/4"	1/2" 3/4"	1/2" 3/4"	1/2" 3/4"	1/2" 3/4"	1/2" 3/4"	3/4" 1"		

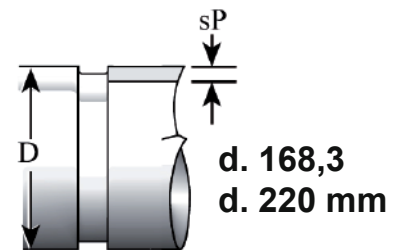
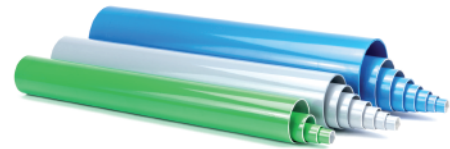
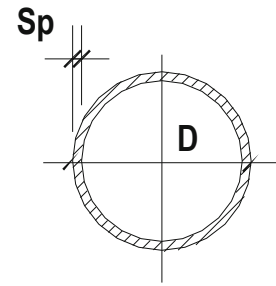
Code	Description	Pag.	D16	D20	D25	D32	D40	D50	D63	D80	D110	D168,3	D220
QLPUNM	Quick Line Spigot (aluminium)	21	3/8"	1/2" 3/4"	1"	1.1/4"	1.1/2"	2"	2"	3"			
DIRFLFF	Threaded flange								●	●	●		
QLFLEX QLFLEXM	Compensator hose, male connection & threaded	22		1/2" 3/4"	1"	1.1/4"	1.1/2"	2"	2"				
DIRDIL	Expansion joint, flanged	23							●	●	●	●	●
DIRFEM8CF	Bracket M8 thread insert pieces	24	●	●	●	●	●	●	●	●	●	●	●
DIRSPE	Spacers		●	●	●	●	●	●	●	●	●	●	●
DIRSM	Deburrer and Reamers	25	●	●	●	●	●	●	●	●	●	●	●
QLCLEAL	Quick Line nut wrench Aluminium		●	●	●	●	●	●	●	●	●	●	●
QLMISAL	Pipe-Fittings insertion meter d. 20 - 110		●	●	●	●	●	●	●	●	●	●	●

Information provided in this document were compiled according to our science and conscience and are representative of state of art. Information, data and pictures of Aircom products herein supplied are not binding and are supplied as a guide only. We reserve the right to introduce possible technical modifications without notice. We recommend to always check effective suitability of the product/s for the intended use. Any reprint or copying of this document and its annexes, or of part of them, requires prior written consent from Aircom Srl. All rights reserved. (E. and O. E.)

Aluminium Pipes diam. 16 ÷ 220 mm

QLTUAL - Blue aluminium pipe

Code	Gr/m	D	bar length	sp
QLTUAL4016S	180	16	4	1
QLTUAL4020S	201	20	4	1,3
QLTUAL020S	201	20	5,8	1,3
QLTUAL4025S	273	25	4	1,4
QLTUAL025S	273	25	5,8	1,4
QLTUAL4032S	402	32	4	1,5
QLTUAL032S	402	32	5,8	1,5
QLTUAL4040S	586	40	4	1,8
QLTUAL040S	586	40	5,8	1,8
QLTUAL4050S	819	50	4	2
QLTUAL050S	819	50	5,8	2
QLTUAL4063S	1039	63	4	2
QLTUAL063S	1039	63	5,8	2
QLTUAL080S	1582	80	5,8	2,4
QLTUAL110S	2367	110	5,8	2,6
QLTUAL168S	5000	168,3	5,8	3,5
QLTUAL220S	6100	220	5,8	4

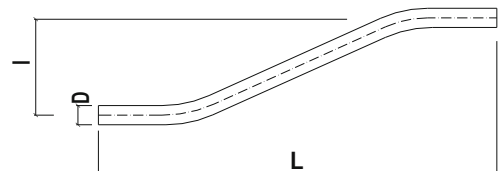


QLTUALGY - Grey aluminium pipe

Code	Gr/m	D	bar length	sp
QLTUALGY020S	201	20	5,8	1,3
QLTUALGY025S	273	25	5,8	1,4
QLTUALGY032S	402	32	5,8	1,5
QLTUALGY040S	586	40	5,8	1,8
QLTUALGY050S	819	50	5,8	2
QLTUALGY063S	1039	63	5,8	2
QLTUALGY080S	1582	80	5,8	2,4

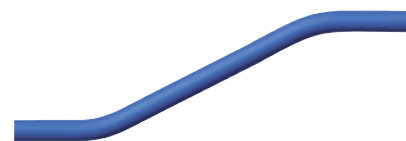
QLTUALG - Green aluminium pipe

Code	Gr/m	D	bar length	sp
QLTUALG020S	201	20	5,8	1,5
QLTUALG025S	273	25	5,8	1,5
QLTUALG040S	586	40	5,8	2
QLTUALG063S	1039	63	5,8	2



QLSCI - Double bend (Aluminium), Blue

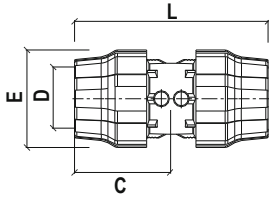
Code	Gr	D	L	I
QLSCI016	70	16	400	120
QLSCI020	100	20	430	150
QLSCI025	130	25	460	180



Quick Line Fittings diam. 20 ÷ 80 mm

QLMAAL - Coupling

Code	Gr.	D	L	E	C
QLMAAL020	64	20	77	38	37
QLMAAL025	100	25	95	45	45
QLMAAL032	233	32	120	56	56
QLMAAL040	283	40	156	62	77
QLMAAL050	590	50	165	81	75
QLMAAL063	966	63	193	97	95
QLMAAL080	1492	80	232	116	114

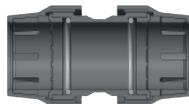
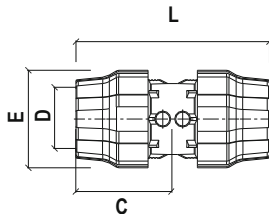


See video
20 ÷ 80 mm

A
L
U
M
I
N
I
U
M

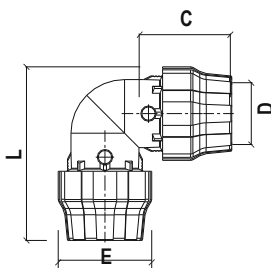
QLMASAL - Sliding Coupling

Code	Gr.	D	L	E	C
QLMASAL032	230	32	120	56	56
QLMASAL040	280	40	156	62	77
QLMASAL050	586	50	165	81	75
QLMASAL063	962	63	193	97	95
QLMASAL080	1489	80	232	116	114



QLGO90AL - 90° Elbow

Code	Gr.	D	L	E	C
QLGO90AL020	78	20	72	38	37
QLGO90AL025	134	25	98	45	45
QLGO90AL032	275	32	120	56	56
QLGO90AL040	326	40	130	62	77
QLGO90AL050	748	50	145	81	75
QLGO90AL063	1033	63	180	97	95
QLGO90AL080	1770	80	217	116	114

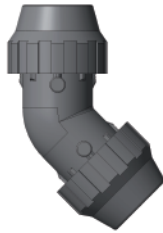
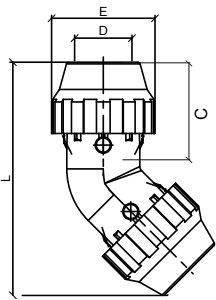


Legend

a	Angular
C	Socket depth
C1	Socket depth 1
D	Socket diameter
D1	Socket diameter 1
Dp	Hollow mill driving diameter
Dpt	Largeness
d	Thread diameter
d1	Thread diameter 1
d2	Thread diameter 2
d3	Thread diameter 3
E	Overall outside diameter ring nut
E1	Overall outside diameter ring nut 1
Gr	Weight in grams
H	Height
On	Holes number
L	Length
L1	Length 1
L2	Length 2
L Axial	Axial Length / Wheelbase
I	Misalignment
I1	Misalignment 1
r	Curvature radius (max)

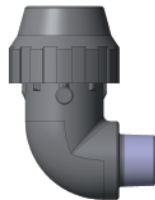
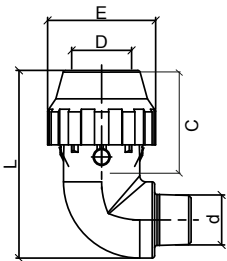
QLGO45AL - 45° Elbow

Code	Gr.	D	L	E	C
QLGO45AL020	73	20	82	38	37
QLGO45AL025	123	25	101	45	45
QLGO45AL032	252	32	130	56	56
QLGO45AL040	303	40	160	62	77



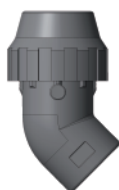
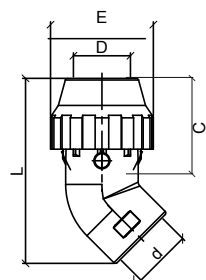
QLGO90MAL - 90° Elbows, male thread

Code	Gr.	D	d	L	E	C
QLGO90MAL020048	50	20	1/2"	65	38	37
QLGO90MAL025048	80	25	1/2"	80	45	45
QLMASAL025068	80	25	3/4"	80	45	45



QLGO45FAL - 45° Elbows, female thread

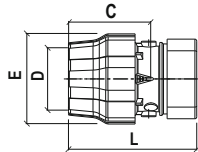
Code	Gr.	D	d	L	E	C
QLGO45FAL020048	54	20	1/2"	65	38	37
QLGO45FAL025048	94	25	1/2"	80	45	45
QLGO45FAL025068	94	25	3/4"	80	45	45



Quick Line Fittings diam. 20 ÷ 80 mm

QLCAAL - End Cap

Code	Gr.	D	L	E	C
QLCAAL020	122	20	38	38	37
QLCAAL025	142	25	45	45	45
QLCAAL032	320	32	56	56	56
QLCAAL040	425	40	94	62	77
QLCAAL050	977	50	106	81	75
QLCAAL063	1168	63	139	97	95
QLCAAL080	1609	80	163	116	114

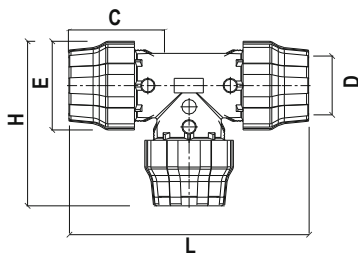


See video
20 ÷ 80 mm

A
L
U
M
I
N
I
U
M

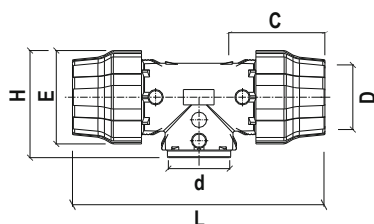
QLTEAL - 90° Tee

Code	Gr.	D	L	E	H	C
QLTEAL020	115	20	100	38	72	37
QLTEAL025	195	25	125	45	98	45
QLTEAL032	400	32	130	56	120	56
QLTEAL040	499	40	132	62	132	77
QLTEAL050	1075	50	150	84	145	75
QLTEAL063	1453	63	263	97	181	95
QLTEAL080	2534	80	318	116	217	114



QLTPAL - Threaded Tee, female thread

Code	Gr.	D	d	L	E	H	C
QLTPAL020048	89	20	1/2"	100	38	46	37
QLTPAL025068	160	25	3/4"	125	45	52	45
QLTPAL032088	330	32	1"	130	56	65	56
QLTPAL040108	366	40	1.1/4"	132	62	70	77
QLTPAL050128	863	50	1.1/2"	150	81	100	75
QLTPAL063168	1126	63	2"	263	97	112	95
QLTPAL080208	2120	80	2.1/2"	318	116	136	114

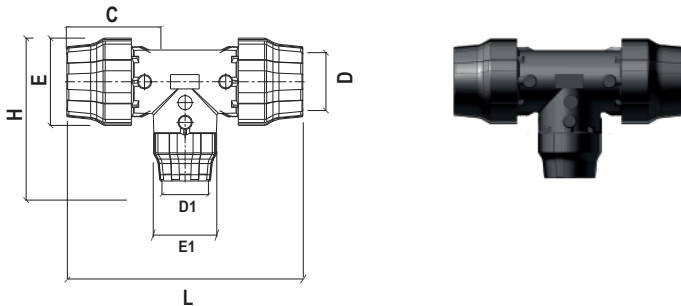


Legend

a	Angular
C	Socket depth
C1	Socket depth 1
D	Socket diameter
D1	Socket diameter 1
Dp	Hollow mill driving diameter
Dpt	Largeness
d	Thread diameter
d1	Thread diameter 1
d2	Thread diameter 2
d3	Thread diameter 3
E	Overall outside diameter ring nut
E1	Overall outside diameter ring nut 1
Gr	Weight in grams
H	Height
On	Holes number
L	Length
L1	Length 1
L2	Length 2
L Axial	Axial Length / Wheelbase
l	Misalignment
l1	Misalignment 1
r	Curvature radius (max)

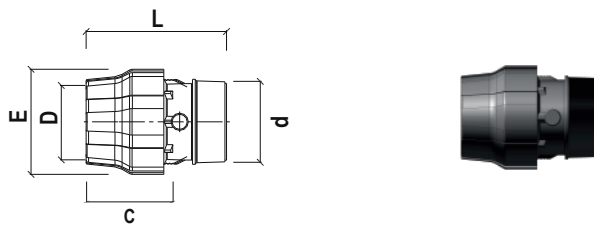
QLTRAL - Reducing Tee

Code	Gr.	D	L	E	H	C	C1
QLTRAL025020	182	25x20	126,70	45,50	80,50	46	37
QLTRAL032020	330	32x20	160,35	56,00	87	57,50	37
QLTRAL040020	500	40x20	201,45	67,50	98	77	35
QLTRAL040025	517	40x25	202,15	67,50	106,50	77	46
QLTRAL050020	968	50x20	215,85	81,30	127	74	44
QLTRAL050025	975	50x25	216,50	81,30	135	74	53
QLTRAL063020	1330	63x20	248,75	97,50	145	86,50	43
QLTRAL063025	1350	63x25	248,90	97,50	154	86,50	53



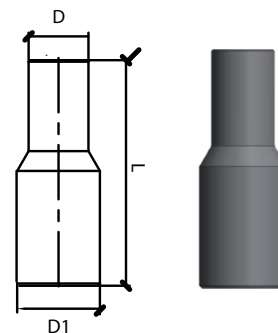
QLMPMAL - Nipple Socket - Aluminium body - HR-P composite nut

Code	Gr.	D	d	L	E	C
QLMPMAL020048	100	20	1/2"	67	45,40	47,50
QLMPMAL020068	103	20	3/4"	68	45,40	47,50
QLMPMAL025088	140	25	1"	77,50	52,20	53,50
QLMPMAL032108	225	32	1.1/4"	90	52,80	63
QLMPMAL040128	435	40	1.1/2"	106	77,30	77,50
QLMPMAL050168	586	50	2"	117	88,40	85



QLRIDTU - Reduction pipe, male/male connection

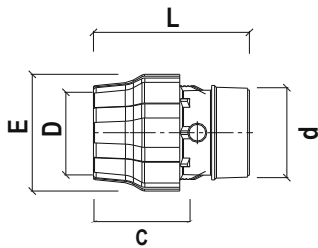
Code	Gr.	D	D1	L
QLRIDTU020016	0,0320	20	16	117,6
QLRIDTU025016	0,0524	25	16	121,6
QLRIDTU025020	0,0609	25	20	133,25
QLRIDTU032020	0,0716	32	20	120
QLRIDTU032025	0,0802	32	25	126,3
QLRIDTU040025	0,168	40	25	156
QLRIDTU040032	0,262	40	32	164,35
QLRIDTU050032	0,393	50	32	170,7
QLRIDTU050040	0,273	50	40	190,75
QLRIDTU063040	0,730	63	40	224,20
QLRIDTU063050	0,656	63	50	213,1
QLRIDTU080050	1,317	80	50	248,6
QLRIDTU080063	1,212	80	63	263,5



Quick Line Fittings diam. 20 ÷ 80 mm

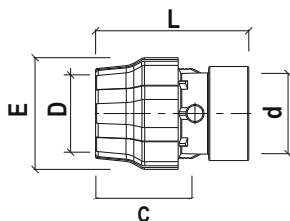
QLMNMAL - Nipple Socket - Aluminium body - male threaded

Code	Gr.	D	d	L	E	C
QLMNMAL020048	43	20	1/2"	53	38	37
QLMNMAL020068	45	20	3/4"	53	38	37
QLMNMAL025068	63	25	3/4"	58	45	45
QLMNMAL025088	68	25	1"	58	45	45
QLMNMAL032108	150	32	1.1/4"	81	56	56
QLMNMAL040128	322	40	1.1/2"	94	62	77
QLMNMAL050168	457	50	2"	106	81	75
QLMNMAL063168	518	63	2"	130	97	95
QLMNMAL063208	545	63	2.1/2"	130	97	95
QLMNMAL080208	907	80	2.1/2"	152	116	114
QLMNMAL080248	1027	80	3"	155	116	114



QLMPMAL - Nipple Socket - Aluminium body - female threaded

Code	Gr.	D	d	L	E	C
QLMPMAL020048	44	20	1/2"	55	38	37
QLMPMAL020068	45	20	3/4"	55	38	37
QLMPMAL025068	68	25	3/4"	60	45	45
QLMPMAL025088	70	25	1"	60	45	45
QLMPMAL032108	157	32	1.1/4"	81	56	56
QLMPMAL040128	335	40	1.1/2"	94	62	77
QLMPMAL050168	468	50	2"	106	81	75
QLMPMAL063208	582	63	2.1/2"	134	97	95



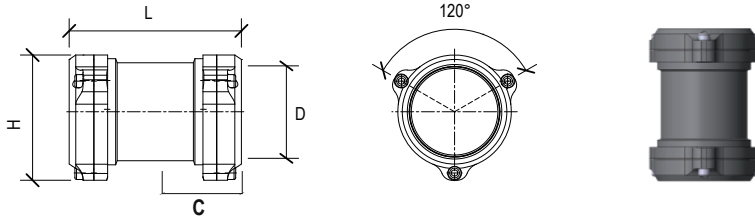
Legend

a	Angular
C	Socket depth
C1	Socket depth 1
D	Socket diameter
D1	Socket diameter 1
Dp	Hollow mill driving diameter
Dpt	Largeness
d	Thread diameter
d1	Thread diameter 1
d2	Thread diameter 2
d3	Thread diameter 3
E	Overall outside diameter ring nut
E1	Overall outside diameter ring nut 1
Gr	Weight in grams
H	Height
On	Holes number
L	Length
L1	Length 1
L2	Length 2
L Axial	Axial Length / Wheelbase
l	Misalignment
l1	Misalignment 1
r	Curvature radius (max)

Quick Line Fittings diam. 110 mm

QLMAAL - Coupling diam 110 mm

Code	Gr.	D	L	H	C
QLMAAL110	1762	110	211	153	102

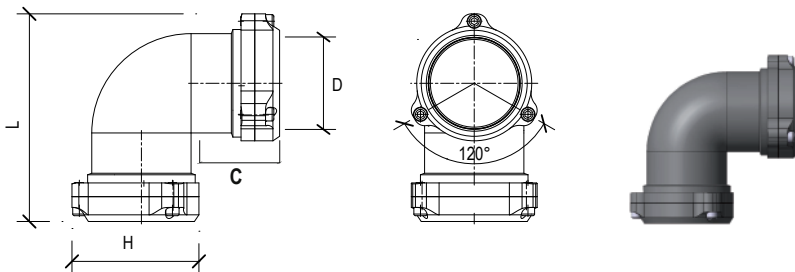


See video
20 ÷ 80 mm

A
L
U
M
I
N
I
U
M

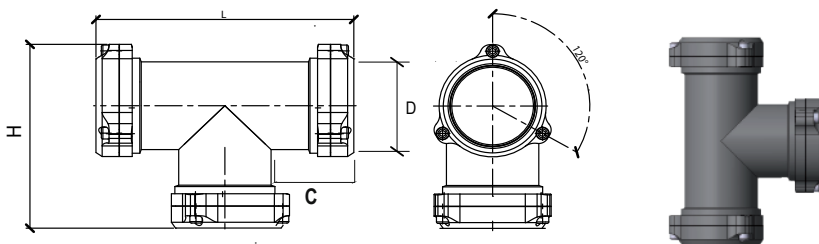
QLGO90AL - 90° Elbow diam 110 mm

Code	Gr.	D	L	H	C
QLGO90AL110	2190	110	251	162	102



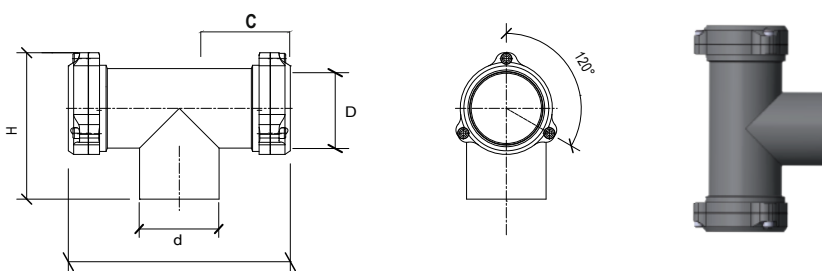
QLTEAL - 90° Tee diam 110 mm

Code	Gr.	D	L	H	C
QLTEAL110	4080	110	335	227	102



QLTPAL - 90° threaded Tee diam 110 mm

Code	Gr.	D	L	H	C
QLTPAL110248	3400	110	335	221	102



Quick Line Fittings diam. 63 ÷ 110 mm

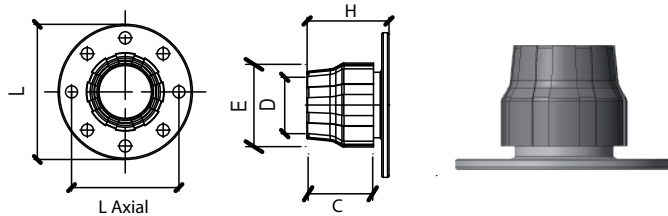
QLMFLAL - Flanged Coupling

Code	Gr.	D	E	L	H	L Axial	C
QLMFLAL063168 *	1269	63	97	165	125	125	95
QLMFLAL080248 **	1783	80	116	200	135	160	114

* Flange DN 50 threaded G 2"

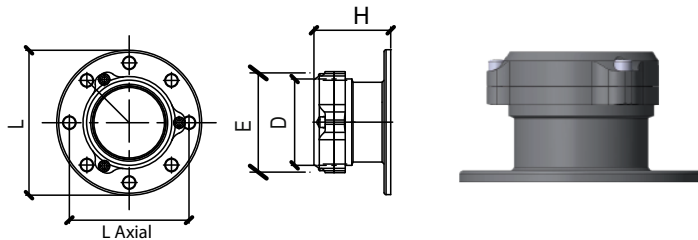
** Flange DN 80 threaded G 3"

*** Flange DN 100 threaded G 4"



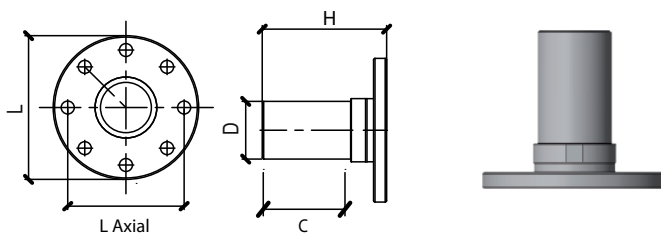
QLMFLAL - Flanged Coupling

Code	Gr.	D	E	L	H	L Axial	C
QLMFLAL110328	2400	110	153	220	123	180	106



QLTFLAL - Flanged Tip

Code	Gr.	D	L	H	L Axial	C
QLTFLAL80208 **	1823	80	227	172	160	114
QLTFLAL110248 ***	2610	110	227	180	180	106



QLRIDTU - Reduction pipe, male/male connection

Code	Gr.	D	D1	L
QLRIDTU110050	2432,5	110	50	261
QLRIDTU110063	2186,1	110	63	276
QLRIDTU110080	2160,9	110	80	282



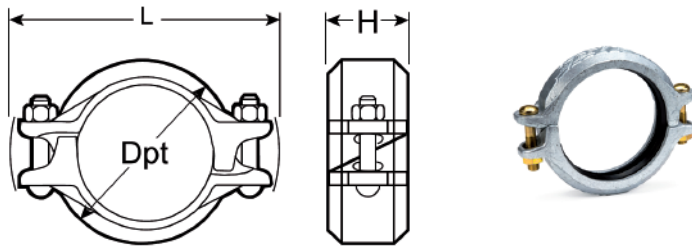
Legend

a	Angular
C	Socket depth
C1	Socket depth 1
D	Socket diameter
D1	Socket diameter 1
Dp	Hollow mill driving diameter
Dpt	Largeness
d	Thread diameter
d1	Thread diameter 1
d2	Thread diameter 2
d3	Thread diameter 3
E	Overall outside diameter ring nut
E1	Overall outside diameter ring nut 1
Gr	Weight in grams
H	Height
On	Holes number
L	Length
L1	Length 1
L2	Length 2
L Axial	Axial Length / Wheelbase
l	Misalignment
l1	Misalignment 1
r	Curvature radius (max)

Quick Line Fittings D. 168,3 mm/220 mm - 6”/8”

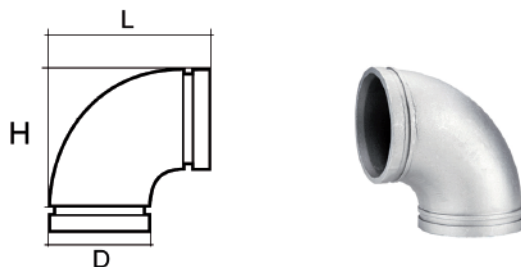
QLMAAL - Straight Coupling, Rigid

Code	Gr.	D	L	H	Dpt
QLMAAL168	3700	168,3	286	57	207
QLMAAL220	6800	220	362	67	267



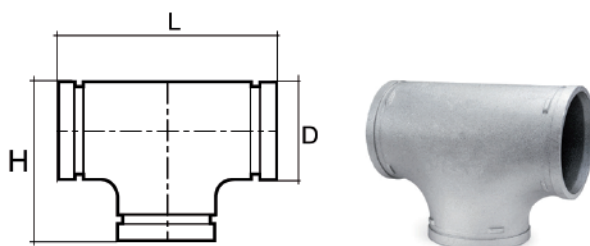
QLGO90AL - 90° Elbow grooved ends

Code	Gr.	D	L	H	C
QLGO90AL168	2900	168,3	250	250	30,96
QLGO90AL220	6400	220	306,55	306,55	30,96



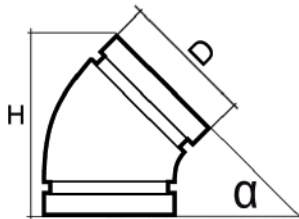
QLTEAL - Equal Tee grooved ends

Code	Gr.	D	L	H	C
QLTEAL168	4100	168,3	330	250	25
QLTEAL220	8300	220	394	306,555	30,96



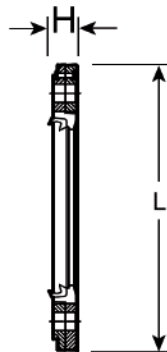
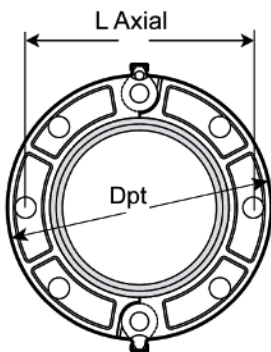
QLGO45AL - 45° Elbow 168,3 mm Aluminum grooved ends

Code	Gr.	D	H	α	C
QLGO45AL168	2400	168,3	178	45°	25
QLGO45AL220	3700	220	216	45°	30,96



QLFLA - Flanged adapter

Code	Gr.	D	L	H	L Axial	Dpt
QLFLA168480DIN	4500	168,3	302	25	241	279
QLFLA220640DIN	7500	220	368,3	29,3	295,3	343,3

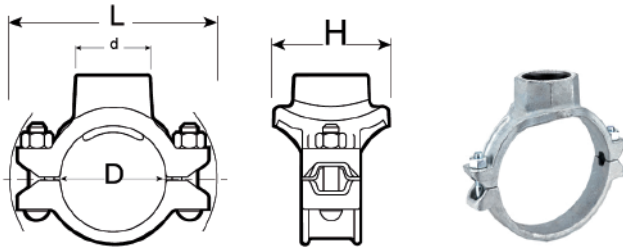


Legend

α	Angular
C	Socket depth
C1	Socket depth 1
D	Socket diameter
D1	Socket diameter 1
Dp	Hollow mill driving diameter
Dpt	Largeness
d	Thread diameter
d1	Thread diameter 1
d2	Thread diameter 2
d3	Thread diameter 3
E	Overall outside diameter ring nut
E1	Overall outside diameter ring nut 1
Gr	Weight in grams
H	Height
On	Holes number
L	Length
L1	Length 1
L2	Length 2
L Axial	Axial Length / Wheelbase
l	Misalignment
l1	Misalignment 1
r	Curvature radius (max)

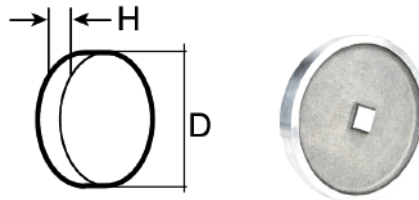
QLDER - Quick branch plug female thread

Code	Gr.	D	d	L	H
QLDER168108	2300	168,3	1.1/4"	232	83
QLDER168128	2400	168,3	1.1/2"	232	83
QLDER168168	2700	168,3	2"	232	99
QLDER168208	3800	168,3	2.1/2"	267	118
QLDER168248	4500	168,3	3"	267	135
QLDER220168	5300	220	2"	316	114



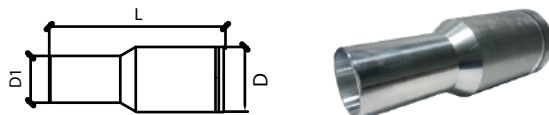
QLCAAL - End cap 168,3 mm Aluminium grooved end

Code	Gr.	D	L	H
QLCAAL168	1400	168,3	168,3	25
QLCAAL220	2700	220	220	32



QLRIDTU - Reduction 168,3 mm grooved male/male connection

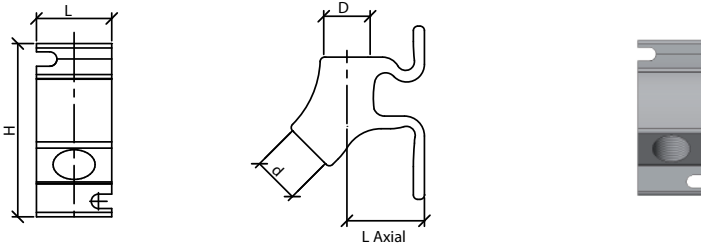
Code	Gr.	D	D1	L
QLRIDTU168063	1835,6	168,3	63	324,45
QLRIDTU168080	3363,3	168,3	80	334,6
QLRIDTU168110	3279	168,3	110	293,40
QLRIDTU220080	3393	220	80	368
QLRIDTU220110	3695	220	110	363,45



Wall Mount Manifolds

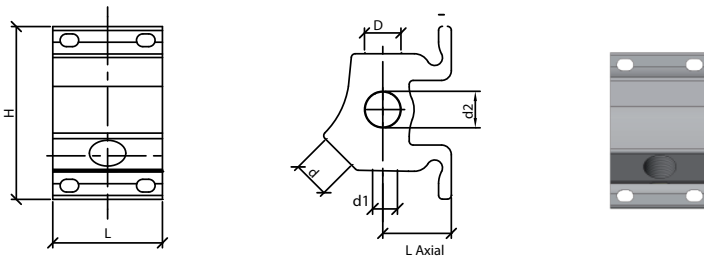
DIRAPMAL - Single port manifold, female threads

Code	Gr.	D	d	H	L	L Axial
DIRAPMAL048048	148	1/2"	1/2"	78	34	35



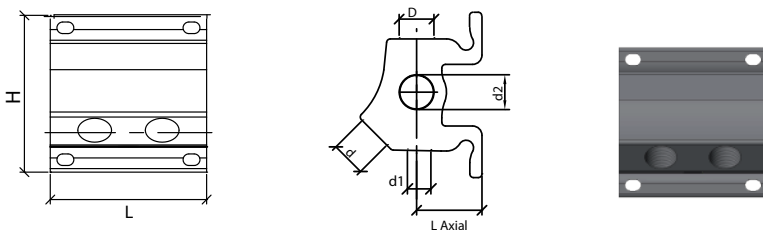
DIRAPFRLAL - Three port manifold, female threads + drain 1/4" blind

Code	Gr.	D	d	d1	d2	H	L	L axial
DIRAPFRLAL048048	360	1/2"	1/2"	1/4"	1/2"	88	55	35



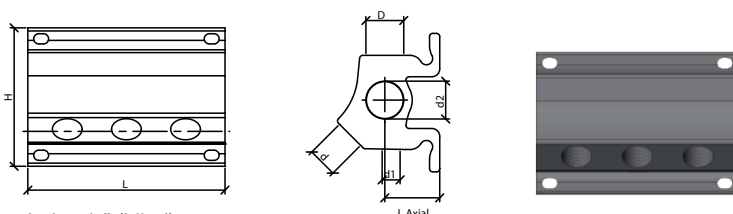
DIRAPLAL - Four port manifold, female threads + drain 1/4" blind

Code	Gr.	D	d	d1	d2	H	L	L Axial
DIRAPLAL048048	450	1/2"	1/2"	1/4"	1/2"	88	88	35
DIRAPLAL068068	465	3/4"	1/2"	1/4"	3/4"	88	88	35



DIRPMUAL120 - Five port manifold, female threads + drain 1/4" blind

Code	Gr.	D	d	d1	d2	H	L	L Axial
DIRPMUAL120	687	3/4"	1/2"	1/4"	3/4"	88	125	35



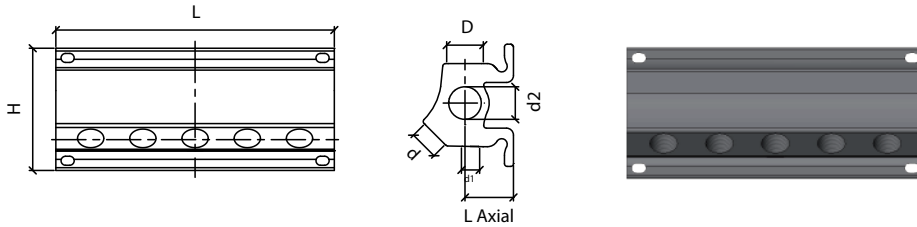
N.B. d1 = drain 1/4" (blind)

Legend

a	Angular
C	Socket depth
C1	Socket depth 1
D	Socket diameter
D1	Socket diameter 1
Dp	Hollow mill driving diameter
Dpt	Largeness
d	Thread diameter
d1	Thread diameter 1
d2	Thread diameter 2
d3	Thread diameter 3
E	Overall outside diameter ring nut
E1	Overall outside diameter ring nut 1
Gr	Weight in grams
H	Height
On	Holes number
L	Length
L1	Length 1
L2	Length 2
L Axial	Axial Length / Wheelbase
l	Misalignment
l1	Misalignment 1
r	Curvature radius (max)

DIRPMUAL200 - Seven port manifold, female threads + drain 1/4" blind

Code	Gr.	D	d	d1	d2	H
DIRPMUAL200	1122	3/4"	1/2"	1/4"	3/4"	88

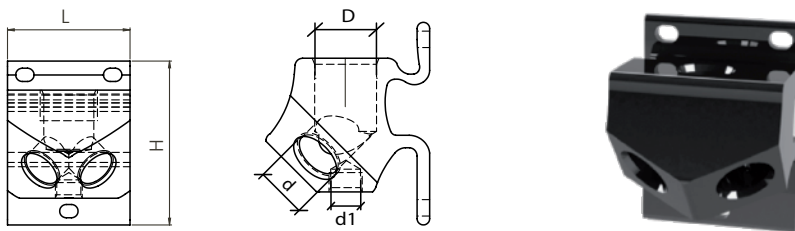


See video
QL Aluminium

A
L
U
M
I
N
I
U
M

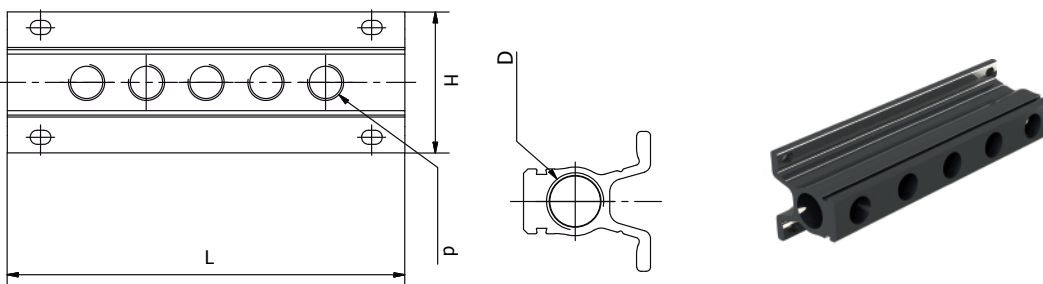
APLALL - Double port manifold, female threads + drain 1/4" *

Code	Gr.	D	d	d1	H	L
APLALL048	240	1/2"	1/2"	1/4"	80,24	60
APLALL068	240	3/4"	1/2"	1/4"	80,24	60



APLALLMUL - Five port manifold, female threads

Code	Gr.	D	d	H	L
APLALLMUL068038	487	3/4"	3/8"	65	183
APLALLMUL068048	529	3/4"	1/2"	65	183

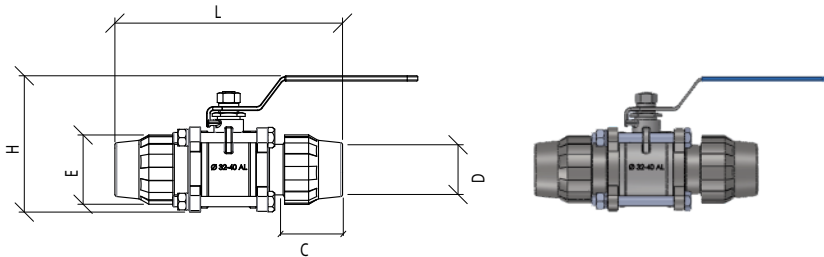


N.B. d1 = drain 1/4" (blind)

Quick Line Valves

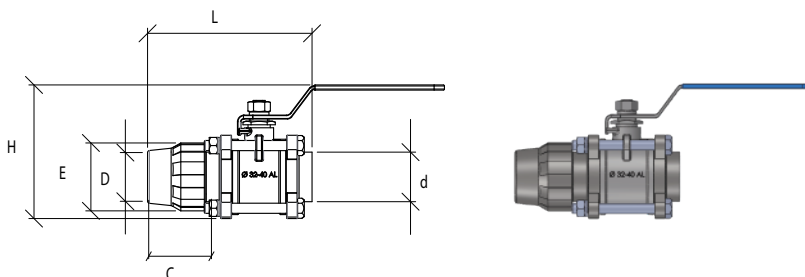
QLVAINOX - Quick Line steel ball valve, male threaded

Code	Gr.	D	E	L	H	C
QLVAINOX025	700	25	45	168	124	45
QLVAINOX032	2040	32	56	265	138	56
QLVAINOX040	1930	40	62	269	138	77
QLVAINOX050	3000	50	81	308	147	75
QLVAINOX063	3260	63	97	376	175	95
QLVAINOX080	8390	80	116	483	200	114



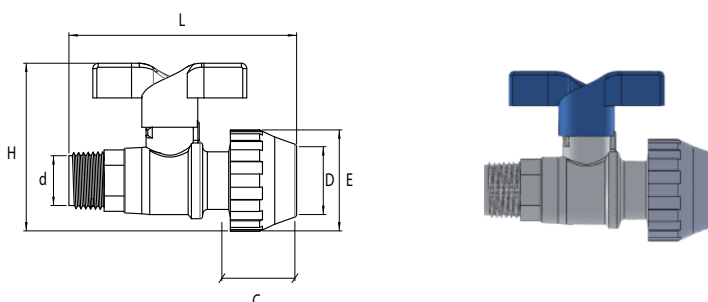
QLVAINOXF - Quick Line steel ball valve, fem. threaded with nipple male

Code	Gr.	D	d	E	L	H	C
QLVAINOXMF025088	800	25	1/2"	45	168	120	45
QLVAINOXMF032128	2200	32	1.1/2"	56	215	134	56
QLVAINOXMF040128	2050	40	1.1/2"	62	225	134	77
QLVAINOXMF050168	3200	50	2"	81	274	143	75
QLVAINOXMF063168	3500	63	2"	97	309	171	95
QLVAINOXMF080248	8600	80	3"	116	393	196	114



QLVAMAL - Quick Line male threaded connection ball valve

Code	Gr.	D	d	E	L	H	C
QLVAM016048	278.3	16	1/2"	38	93.60	64,5	37,3
QLVAM020048AL	320	20	1/2"	45	104	60	48
QLVAM025068AL	470	25	3/4"	51	106	60	52



Legend

a	Angular
C	Socket depth
C1	Socket depth 1
D	Socket diameter
D1	Socket diameter 1
Dp	Hollow mill driving diameter
Dpt	Largeness
d	Thread diameter
d1	Thread diameter 1
d2	Thread diameter 2
d3	Thread diameter 3
E	Overall outside diameter ring nut
E1	Overall outside diameter ring nut 1
Gr	Weight in grams
H	Height
On	Holes number
L	Length
L1	Length 1
L2	Length 2
L Axial	Axial Length / Wheelbase
I	Misalignment
I1	Misalignment 1
r	Curvature radius (max)

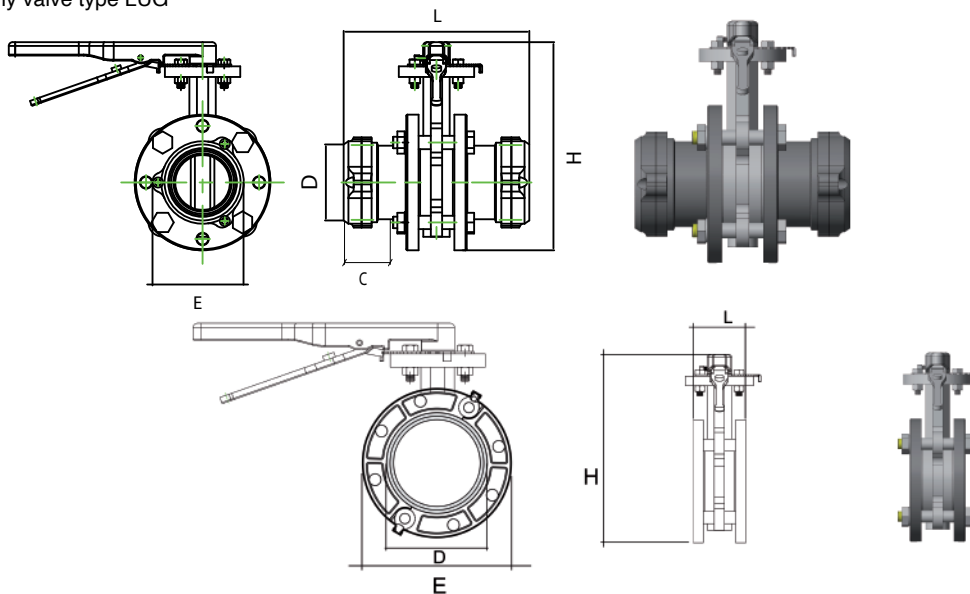
QLVALFAR - Butterfly valve, Wafer / LUG, 63 mm - 220 mm

Code	Gr.	D	E	L	H	C
*1 QLVALFAR063	6000	63	97,50	285	290	88
*2 QLVALFAR063L	7000	63	97,50	284	280	88
*1 QLVALFAR080	9000	80	115,70	325	320	117,30
*2 QLVALFAR080L	10000	80	115,70	324	330	117,30
*1 QLVALFAR110	12000	110	152,30	350	355	105
*2 QLVALFAR110L	13000	110	152,30	303	350	105
*1 QLVALFAR168	22000	168,3	285	165	355	25
*2 QLVALFAR168L	26000	168,3	285	163	435	25
*1 QLVALFAR220	36000	220	343,3	183	510	30,96
*2 QLVALFAR220L	37000	220	343,3	190	520	30,96

N.B.

*1 Butterfly valve type WAFER

*2 Butterfly valve type LUG

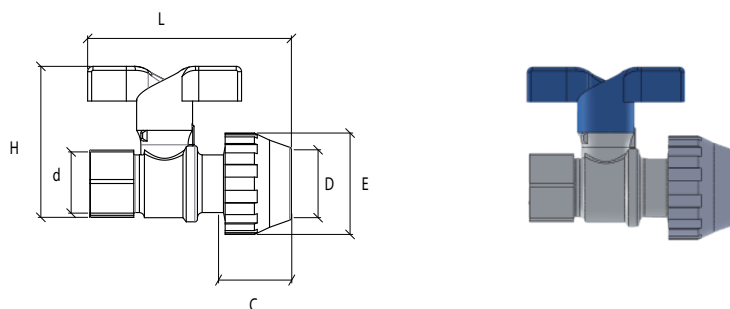


See video
QL Aluminium

A
L
U
M
I
N
I
U
M

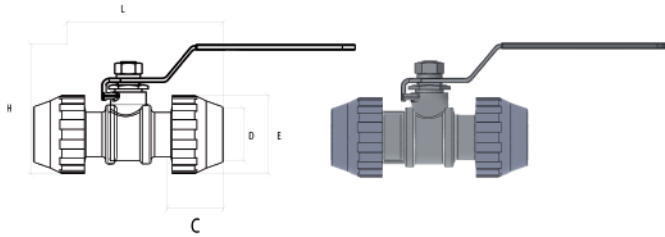
QLVAFAL - Quick Line female threaded connection ball valve

Code	Gr.	D	d	E	L	H	C
QLVAF016048	278,5	16	1/2"	38	86	64,5	37,3
QLVAF020048AL	320	20	1/2"	45	104	60	48
QLVAF025068AL	470	25	3/4"	51	106	60	52



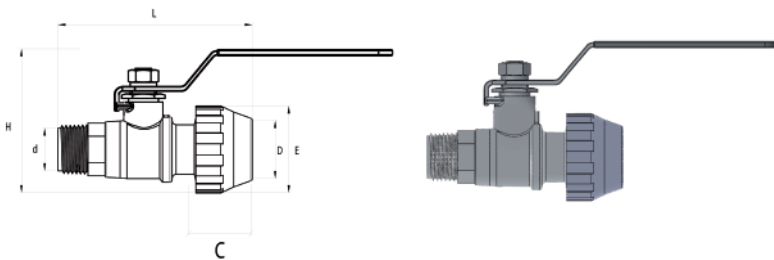
QLVASS - Quick Line steel ball valve, male threaded

Code	Gr.	D	E	L	H	C
QLVASS020	373	20	38,30	103,50	80	37
QLVASS025	538	25	45,50	127,50	88	46
QLVASS032	838	32	56	156	97	58,50
QLVASS040	1398	40	67,50	205	107	77
QLVASS050	1872	50	81,30	209	128	76
QLVASS063	2849	63	97,50	246	146	88
QLVASS080	4846	80	116	323,30	174	118,50



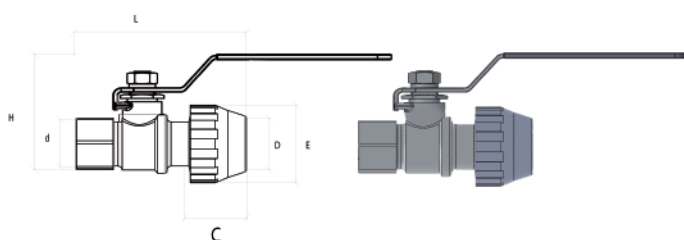
QLVASSM - Quick Line female threaded connection ball valve

Code	Gr.	D	d	E	L	H	C
QLVASSM020068	365	20	3/4"	38,30	93	80	37
QLVASSM025088	515	25	1"	45,50	113	88	46
QLVASSM032108	774	32	1.1/4"	56	132	97	58,50
QLVASSM040128	1197	40	1.1/2"	67,50	160	107	77
QLVASSM050168	1668	50	2"	81,30	171	128	76
QLVASSM063208	2469	63	2.1/2"	97,50	197	146	88
QLVASSM080248	4124	80	3"	116	250	174	118,50



QLVASSF - Quick Line male threaded connection ball valve

Code	Gr.	D	d	E	L	H	C
QLVASSF020068	342	20	3/4"	38,30	85	80	37
QLVASSF025088	475	25	1"	45,50	105	88	46
QLVASSF032108	724	32	1.1/4"	56	125	97	58,50
QLVASSF040128	1166	40	1.1/2"	67,50	154	107	77
QLVASSF050168	1582	50	2"	81,30	158	128	76
QLVASSF063208	2357	63	2.1/2"	97,50	190	146	88
QLVASSF080248	3968	80	3"	116	243	174	118,50



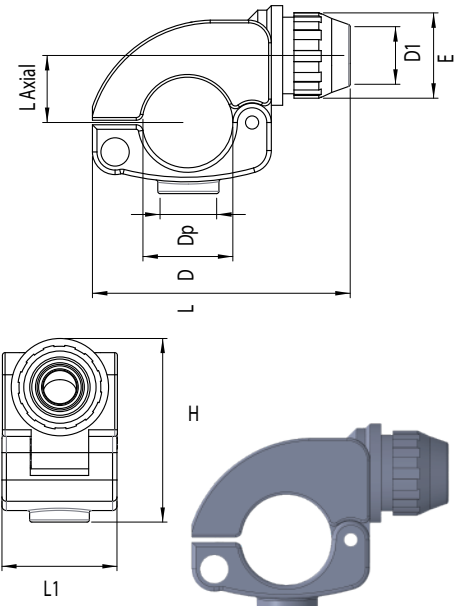
Legend

- a** Angular
- C** Socket depth
- C1** Socket depth 1
- D** Socket diameter
- D1** Socket diameter 1
- Dp** Hollow mill driving diameter
- Dpt** Largeness
- d** Thread diameter
- d1** Thread diameter 1
- d2** Thread diameter 2
- d3** Thread diameter 3
- E** Overall outside diameter ring nut
- E1** Overall outside diameter ring nut 1
- Gr** Weight in grams
- H** Height
- On** Holes number
- L** Length
- L1** Length 1
- L2** Length 2
- L Axial** Axial Length / Wheelbase
- I** Misalignment
- I1** Misalignment 1
- r** Curvature radius (max)

Quick Line Branch plug

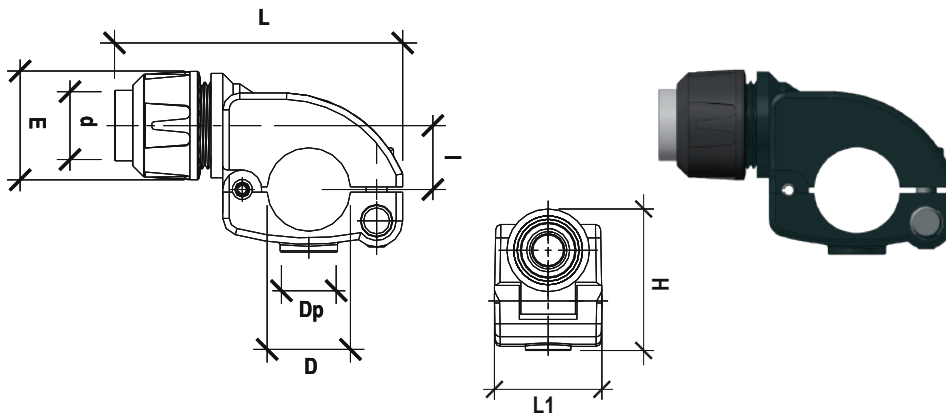
QLDERAL - Quick branch plug with aluminium nut

Code	Gr.	D	D1	L	E	L1	Dp	L Axial
QLDERAL025020	195	25	20	113	45	52	19	24,5
QLDERAL032020	200	32	20	113	45	52	19	24,5
QLDERAL040020	250	40	20	125	45	52	24	29,6
QLDERAL040025	260	40	25	125	51	52	24	29,6
QLDERAL050020	315	50	20	145	45	60	24	31
QLDERAL050025	323	50	25	145	51	60	24	31
QLDERAL063020	360	63	20	145	45	60	24	43
QLDERAL063025	372	63	25	145	51	60	24	43
QLDERAL063032	420	63	32	145	61	60	24	43
QLDERAL080020	1080	80	20	220	45	63	24	71
QLDERAL080025	1095	80	25	220	51	63	24	71
QLDERAL080032	1140	80	32	220	61	63	24	71
QLDERAL110020	830	110	20	220	45	63	24	71
QLDERAL110025	830	110	25	220	51	63	24	71
QLDERAL110032	850	110	32	220	61	63	24	71



DIRDERFF - Quick branch plug, f thread outlet (aluminium)

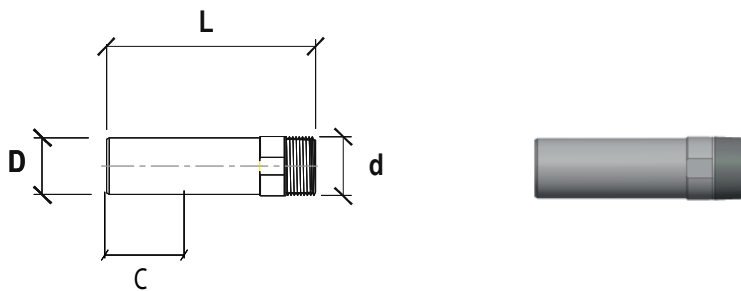
Code	Gr.	D	d	L	E	L1	Dp	L Axial
DIRDERFF025048	238	25	1/2"	113	45	52	19	24,5
DIRDERFF032048	217	32	1/2"	113	45	52	19	24,5
DIRDERFF040048	274	40	1/2"	125	45	52	24	29,6
DIRDERFF040068	302	40	3/4"	125	51	52	24	29,6
DIRDERFF050048	402	50	1/2"	145	45	60	24	31
DIRDERFF050068	487	50	3/4"	145	51	60	24	31
DIRDERFF063048	368	63	1/2"	145	45	60	24	43
DIRDERFF063068	396	63	3/4"	145	51	60	24	43
DIRDERFF063088	620	63	1"	148	61	60	24	43
DIRDERFF080048	1191	80	1/2"	220	45	63	24	71
DIRDERFF080068	1153	80	3/4"	220	51	63	24	71
DIRDERFF080088	1160	80	1"	220	61	63	24	71
DIRDERFF110068	900	110	3/4"	220	51	63	24	71
DIRDERFF110088	900	110	1"	220	61	63	24	71



See video
Quick branch plugs

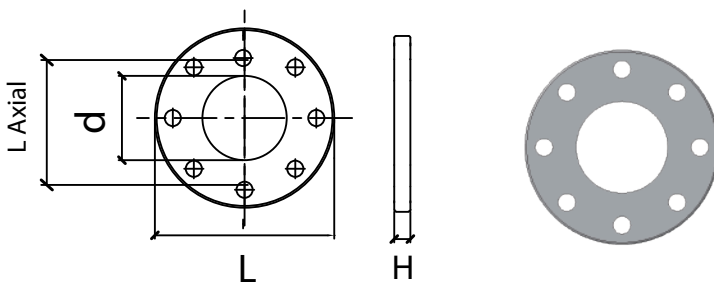
QLPUNM - Male threaded Quick Line Spigot (aluminium)

Code	Gr.	D	d	L
QLPUNM016038	25	16	3/8"	93
QLPUNM020048	36	20	1/2"	95
QLPUNM020068	52	20	3/4"	96
QLPUNM025088	86	25	1"	108
QLPUNM032108	170	32	1.1/4"	119
QLPUNM040128	224	40	1.1/2"	135
QLPUNM050168	400	50	2"	141
QLPUNM063168	481	63	2"	157
QLPUNM080248	695	80	3"	171



DIRFLFF - Threaded flange

Code	Gr.	L	d	H	L Axial	On
DIRFLFF168DIN	741	165	2.1/2"	18	125	4
DIRFLFF248DIN	1123	200	3"	20	160	8
DIRFLFF328DIN	1263	220	4"	22	180	8



* Flange DN 50 threaded G 2"

** Flange DN 80 threaded G 3"

*** Flange DN 100 threaded G 4"

Legend

a	Angular
C	Socket depth
C1	Socket depth 1
D	Socket diameter
D1	Socket diameter 1
Dp	Hollow mill driving diameter
Dpt	Largeness
d	Thread diameter
d1	Thread diameter 1
d2	Thread diameter 2
d3	Thread diameter 3
E	Overall outside diameter ring nut
E1	Overall outside diameter ring nut 1
Gr	Weight in grams
H	Height
On	Holes number
L	Length
L1	Length 1
L2	Length 2
L Axial	Axial Length / Wheelbase
I	Misalignment
I1	Misalignment 1
r	Curvature radius (max)

QLFLEX - Compensator hose, male connection

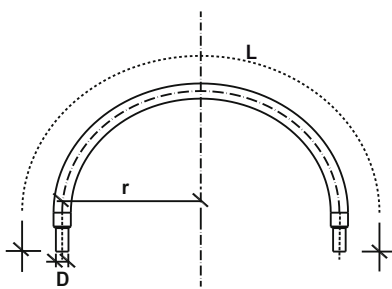
Code	Gr	D	< r >		l1*	L
QLFLEX020	568	20	15	20	100	800
QLFLEX025	810	25	18	25	140	820
QLFLEX032	1400	32	23	32	180	960
QLFLEX040	2000	40	29	38	180	1210
QLFLEX050	4200	50	36	47	220	1440
QLFLEX063	6000	63	45	59	240	1690

* axial seismic movement



See video
QL Aluminium

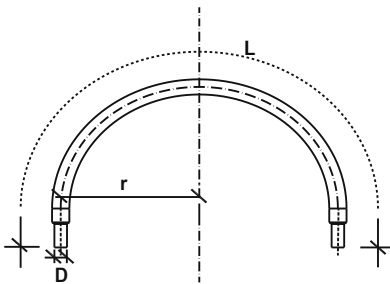
A
L
U
M
I
N
I
U
M



QLFLEXM - Compensator hose, male / threaded connection

Code	Gr	D	< r >		l1*	L
QLFLEXM020048	568	20x1/2"	15	2	100	800
QLFLEXM020068	593	20x3/4"	15	20	100	815
QLFLEXM025088	819	25x1"	18	25	140	825
QLFLEXM032108	1400	32x1.1/4"	23	32	180	980
QLFLEXM040128	2000	40x1.1/2"	29	38	180	1210
QLFLEXM050168	4200	50x2"	36	47	220	1440
QLFLEXM063208	6000	63X2.1/2"	45	59	240	1690

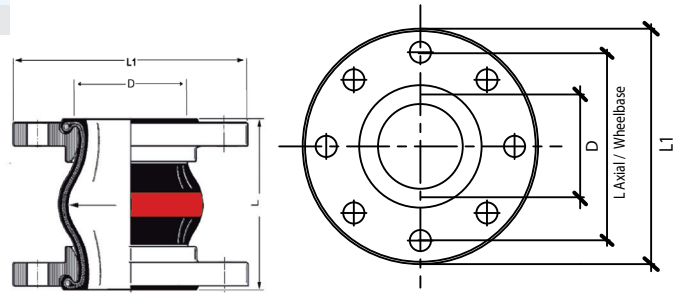
* axial seismic movement



Quick Line Accessories

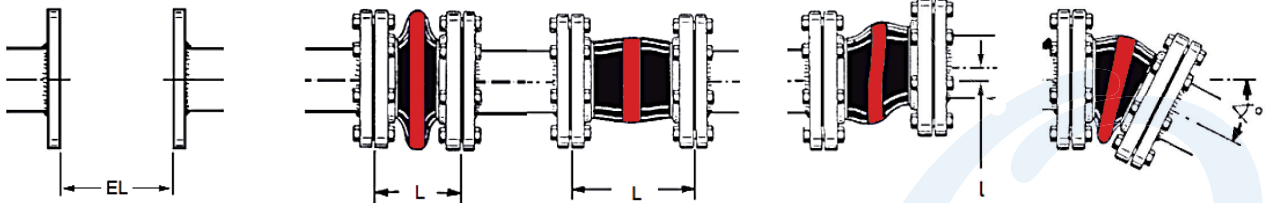
DIRDIL - Expansion joint, flanged

Code	Gr.	D	L	L1	L Axial	On
DIRDIL063DIN	4600	63	130	185	145	4x18
DIRDIL080DIN	8000	80	130	200	160	8x18
DIRDIL110DIN	7600	110	130	220	180	8x18
DIRDIL168DIN	12400	168	130	285	240	8x22
DIRDIL220DIN	17700	220	130	340	295	8x22



Maximum and minimum tolerance table.

DN Ø	EL INSTALLATION LENGTH		L AXIAL DILATATION		L LATERAL DILATATION	α° ANGULAR DILATATION
	min	MAX	min	MAX	± mm	± °
63/80/110	120	135	100	150	± 30	± 20°
168,3/220	125	140	120	160	± 15	± 5°



Union Flanged-Flanged

- The flanged expansion joint must be assembled using M16x55 bolts in galvanized steel 8.8 or in stainless steel A 2.70
- Screwing torque is 40 Nm for all sizes
- Do not use any solvents, glues, lubricants of any kind during the assembly

Pressure rating correction chart

Operating temperature	50°	70°	100°
	Allowed movement according to the temperature	100%	80%
Variable pressure depending on temperature	16 bar	12 bar	10 bar

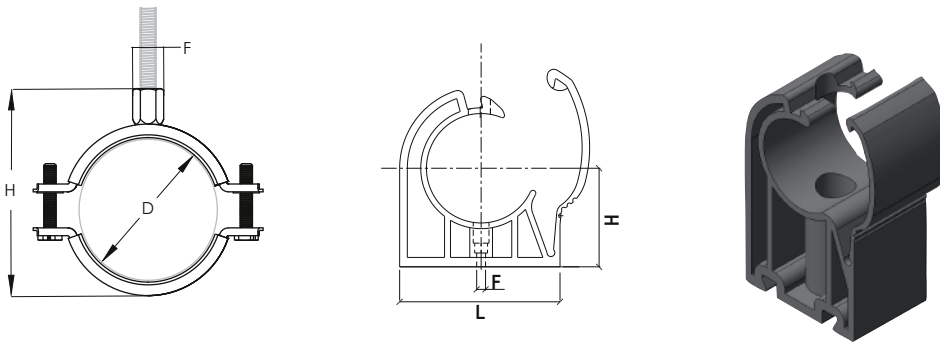
- Liner** - Butyl (IIR)/EPDM, seamless, low permeability
- Reinforcement** - PA textile cord, Butyl rubberized
- Cover** - EPDM, ozone and heat resistant
- Marking** - Red band, ERV, DN and production date
- Flanges** - Swiveling, DIN PN16, carbon steel, zinc plated

Legend

α	Angular
C	Socket depth
C1	Socket depth 1
D	Socket diameter
D1	Socket diameter 1
Dp	Hollow mill driving diameter
Dpt	Largeness
d	Thread diameter
d1	Thread diameter 1
d2	Thread diameter 2
d3	Thread diameter 3
E	Overall outside diameter ring nut
E1	Overall outside diameter ring nut 1
Gr	Weight in grams
H	Height
On	Holes number
L	Length
L1	Length 1
L2	Length 2
L Axial	Axial Length / Wheelbase
I	Misalignment
I1	Misalignment 1
r	Curvature radius (max)

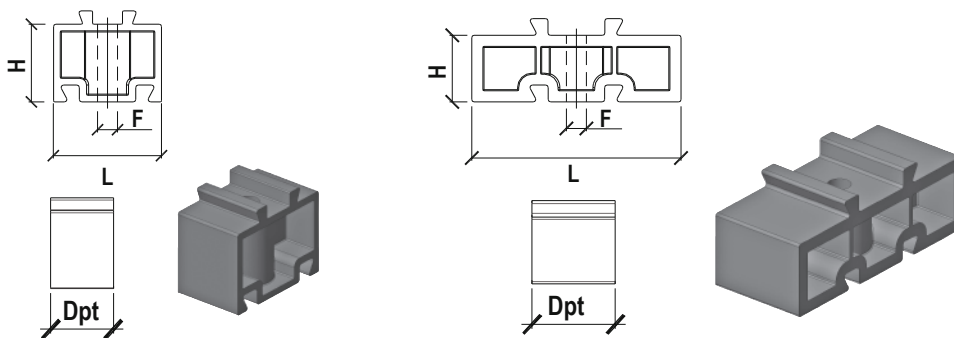
DIRFEM8CF - Bracket M8 thread insert pieces

Code	Gr	D	L	H	F	Dpt
DIRFEM8016CF	9	16	31	35	M8/M10	30
DIRFEM8020CF	20	20	31	35	M8/M10	30
DIRFEM8025CF	30	25	38	35	M8/M10	30
DIRFEM8032CF	70	32	49	35	M8/M10	30
DIRFEM8040CF	80	40	60	70	M8/M10	40
DIRFEM8050CF	85	50	75	70	M8/M10	40
DIRFEM8063CF	110	63	94	70	M8/M10	40
DIRFEM8080CF	250	80	120	100	M8/M10	49
DIRFEM8110CF	330	110	163	100	M8/M10	49
DIRFEM168CF	403	168,3	225	105	M8/M10	160
DIRFEM220CF	645	220	280	135	M8/M10	215



DIRSPE - Spacers

Code	Gr	D	L	H	F	Dpt
DIRSPE020032	19	20-32	49	35	9	30
DIRSPE040063	55	40-63	94	30	9	40



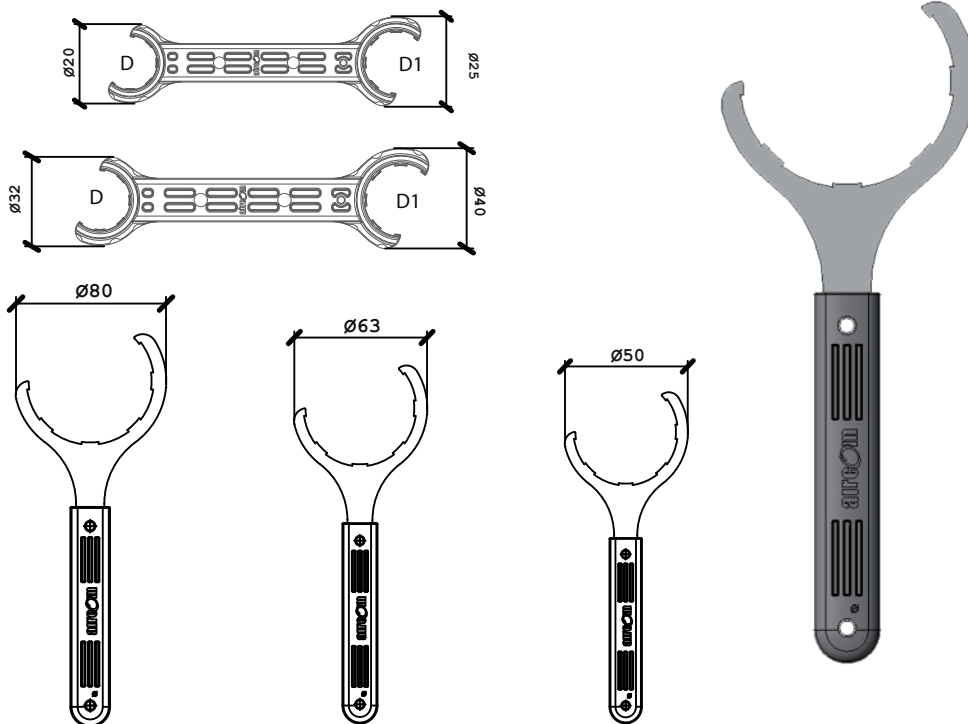
DIRSM - Deburrers and Reamers

Code	Gr.	D
DIRSMTR016050	441	16-50
DIRSM063110	1753	63-110



QLCLEAL - Quick Line nut wrench for Aircom fittings, aluminium body

Code	Gr.	D	D1
QLCLEAL020025	72	20	25
QLCLEAL032040	90	32	40
QLCLEAL050	350	50	
QLCLEAL063	368	63	
QLCLEAL080	539	80	



Legend

a	Angular
C	Socket depth
C1	Socket depth 1
D	Socket diameter
D1	Socket diameter 1
Dp	Hollow mill driving diameter
Dpt	Largeness
d	Thread diameter
d1	Thread diameter 1
d2	Thread diameter 2
d3	Thread diameter 3
E	Overall outside diameter ring nut
E1	Overall outside diameter ring nut 1
Gr	Weight in grams
H	Height
On	Holes number
L	Length
L1	Length 1
L2	Length 2
L Axial	Axial Length / Wheelbase
I	Misalignment
I1	Misalignment 1
r	Curvature radius (max)

QLMISAL - Pipe-fittings insertion meter D 20-110 (in aluminium)

Code	Gr.	D
QLMISAL020110	92	20-110





Air is our Future


AIRCOM s.r.l.

Via Trattato di Maastricht 13
15067 Novi Ligure (AL) - ITALY

Ph. +39 0143 329502

www.aircomsystem.com

info@aircomsystem.com





ANNEX - C

Quick line system technical schedule



Code	Description	Pag.	D16	D20	D25	D32	D40	D50	D63
QLTUAL	Blue Aluminium pipe	3	●	●	●	●	●	●	●
QLTUALGY	Grey Aluminium pipe		●	●	●	●	●	●	●
QLTUALG	Green Aluminium pipe		●	●	●	●	●	●	●
QLSCI	Double bend (aluminium), Blue		●	●	●	●	●	●	●
QLMAPA	Coupling	4	●	●	●	●	●	●	●
QLMASPA	Sliding coupling		●	●	●	●	●	●	●
QLGO90PA	90° Elbow	5	●	●	●	●	●	●	●
QLGO45PA	45° Elbow		●	●	●	●	●	●	●
QLTEPA	90° Tee	6	●	●	●	●	●	●	●
QLTRPA	Reducing Tee		16	16	20	25	32	40	50
QLTPPA	Threaded Tee, female thread	7		1/2"	1/2"				
QLTPPF	Reducing tee with PE piping connection		●	●					
QLCAPA	End cap	8	●	●	●	●	●	●	●
QLRIDPA	Reduction		16	20	25	25	32	40	50
QLGO90PM	90° Elbow, male threaded	9	1/2"	1/2"	3/4"				
QLMNPA	Union - male threaded		1/2"	1/2" 3/4"	1/2" 3/4" 1"	1" 1.1/4"	1" 1.1/4" 1.1/2"	1.1/2" 2"	2"
QLVAM	QL male threaded connection ball valve	10	1/2"						
QLVAF	QL female threaded connection ball valve		1/2"						
QLDERPA	Quick branch plug	11			●	●	●	●	●
QLDERPF	QBP with PE piping connection	12			●	●	●	●	●
DIRDERFF	Quick branch plugs, female threaded outl.	13			1/2"	1/2"	1/2" 3/4"	1/2" 3/4"	1/2" 3/4" 1"
QLPUNM	Quick Line Spigot (aluminium)	14	3/8"	1/2" 3/4"	1"	1.1/4"	1.1/2"	2"	2"
QLFLEX	Compensator hose, male connection		●	●	●	●	●	●	●
DIRFEM8CF	Bracket M8 thread insert pieces	15	●	●	●	●	●	●	●
DIRSPE	Spacers		●	●	●	●	●	●	●

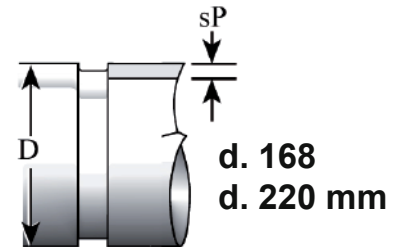
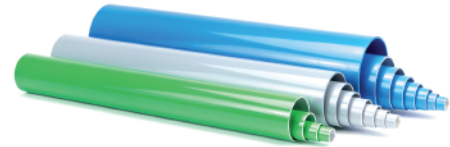
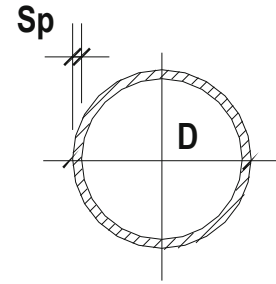
Code	Description	Pag.	D16	D20	D25	D32	D40	D50	D63
QLCLEPA	Quick Line nut wrench	16	●	●	●	●	●	●	●
QLCLEDPA	Torque wrench for fittings in HR-Polymer		●	●	●	●	●	●	●
QLMIS	Pipe-Fittings insertion meter	17	●	●	●	●	●	●	●
DIRSM	Deburrer and Reamers		●	●	●	●	●	●	●

Information provided in this document were compiled according to our science and conscience and are representative of state of art. Information, data and pictures of Aircom products herein supplied are not binding and are supplied as a guide only. We reserve the right to introduce possible technical modifications without notice. We recommend to always check effective suitability of the product/s for the intended use. Any reprint or copying of this document and its annexes, or of part of them, requires prior written consent from Aircom Srl. All rights reserved. (E. and O. E.)

Aluminium Pipes diam. 16 ÷ 220 mm

QLTUAL - Blue aluminium pipe

Code	Gr/m	D	bar length	sp
QLTUAL4016S	180	16	4	1
QLTUAL4020S	201	20	4	1,3
QLTUAL020S	201	20	5,8	1,3
QLTUAL4025S	273	25	4	1,4
QLTUAL025S	273	25	5,8	1,4
QLTUAL4032S	402	32	4	1,5
QLTUAL032S	402	32	5,8	1,5
QLTUAL4040S	586	40	4	1,8
QLTUAL040S	586	40	5,8	1,8
QLTUAL4050S	819	50	4	2
QLTUAL050S	819	50	5,8	2
QLTUAL4063S	1039	63	4	2
QLTUAL063S	1039	63	5,8	2
QLTUAL080S	1582	80	5,8	2,4
QLTUAL110S	2367	110	5,8	2,6
QLTUAL168S	5000	168,3	5,8	3,5
QLTUAL220S	6100	220	5,8	4

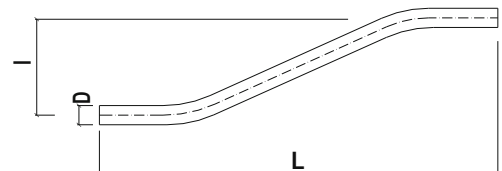


QLTUALGY - Grey aluminium pipe

Code	Gr/m	D	bar length	sp
QLTUALGY020S	201	20	5,8	1,3
QLTUALGY025S	273	25	5,8	1,4
QLTUALGY032S	402	32	5,8	1,5
QLTUALGY040S	586	40	5,8	1,8
QLTUALGY050S	819	50	5,8	2
QLTUALGY063S	1039	63	5,8	2
QLTUALGY080S	1582	80	5,8	2,4

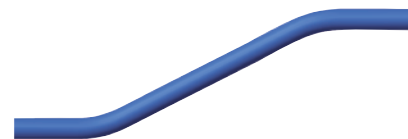
QLTUALG - Green aluminium pipe

Code	Gr/m	D	bar length	sp
QLTUALG020S	201	20	5,8	1,5
QLTUALG025S	273	25	5,8	1,5
QLTUALG040S	586	40	5,8	2
QLTUALG063S	1039	63	5,8	2



QLSCI - Double bend (Aluminium), Blue

Code	Gr	D	L	I
QLSCI016	70	16	400	120
QLSCI020	100	20	430	150
QLSCI025	130	25	460	180



Quick Line Fittings diam 16 ÷ 63 mm

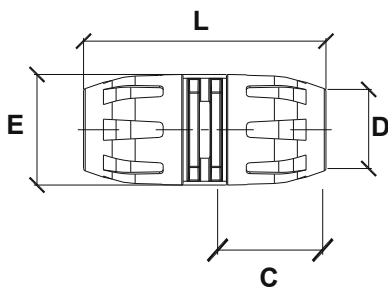
QLMAPA - Coupling

Code	Gr	D	L	E	C
QLMAPA016	50	16	81	37	37
QLMAPA020	90	20	98	45	45
QLMAPA025	132	25	106	51	56
QLMAPA032	212	32	124	61	77
QLMAPA040	350	40	142	75	75
QLMAPA050	505	50	161	87	95
QLMAPA063	570	63	170	108	114



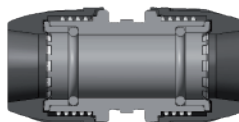
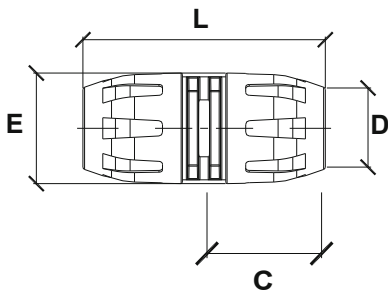
See video
16 ÷ 63 mm

P
O
L
Y
M
E
R



QLMASPA - Sliding Coupling

Code	Gr	D	L	E	C
QLMASPA032	212	32	124	61	61,90
QLMASPA040	350	40	142	75	71,00
QLMASPA050	505	50	161	87	79,70
QLMASPA063	570	63	170	108	79,50

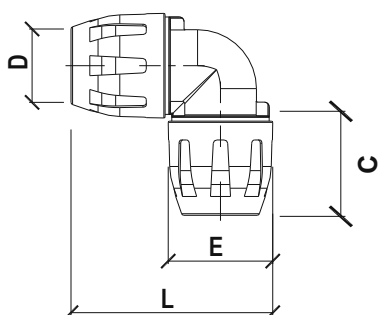


Legend

a	Angular
C	Socket depth
C1	Socket depth 1
D	Socket diameter
D1	Socket diameter 1
Dp	Hollow mill driving diameter
Dpt	Largeness
d	Thread diameter
d1	Thread diameter 1
d2	Thread diameter 2
d3	Thread diameter 3
E	Overall outside diameter ring nut
E1	Overall outside diameter ring nut 1
Gr	Weight in grams
H	Height
On	Holes number
L	Length
L1	Length 1
L2	Length 2
L Axial	Axial Length / Wheelbase
I	Misalignment
I1	Misalignment 1
r	Curvature radius (max)

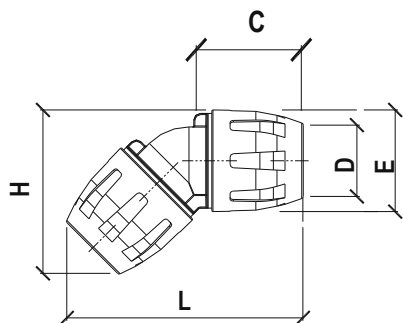
QLGO90PA - 90° Elbow

Code	Gr	D	L	E	C
QLGO90PA016	70	16	72	37	38,80
QLGO90PA020	100	20	86	45	49,80
QLGO90PA025	140	25	95	51	54,80
QLGO90PA032	240	32	122	61	61,90
QLGO90PA040	390	40	130	75	71,00
QLGO90PA050	580	50	152	87	79,70
QLGO90PA063	800	63	165	108	79,50



QLGO45PA - 45° Elbows

Code	Gr	D	L	H	E	C
QLGO45PA020	100	20	104	72	45	49,80
QLGO45PA025	145	25	115	81	51	54,80
QLGO45PA032	235	32	137	97	61	61,90
QLGO45PA040	375	40	160	115	75	71,00
QLGO45PA050	540	50	185	134	87	79,70
QLGO45PA063	770	63	210	140	108	79,50



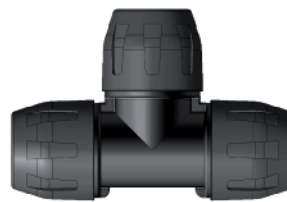
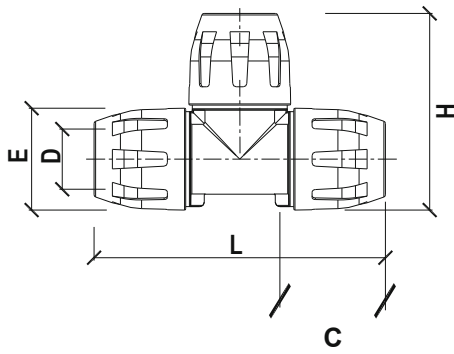
QLTEPA - 90° Tee

Code	Gr	D	L	E	C
QLTEPA016	70	16	72	37	38,80
QLTEPA020	100	20	86	45	49,80
QLTEPA025	140	25	95	51	54,80
QLTEPA032	240	32	122	61	61,90
QLTEPA040	390	40	130	75	71,00
QLTEPA050	580	50	152	87	79,70
QLTEPA063	800	63	165	108	79,50



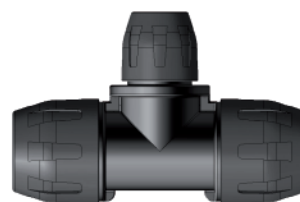
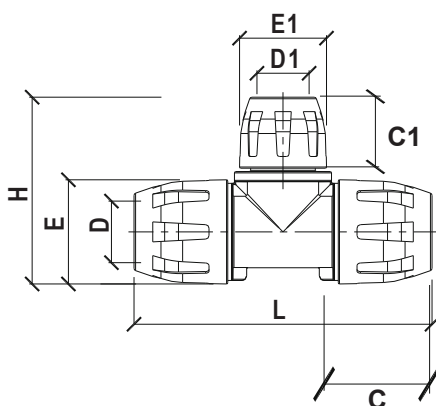
See video
16 ÷ 63 mm

P
O
L
Y
M
E
R



QLTRPA - Reducing Tee

Codice	Gr	D	D1	L	E	E1	H	C	C1
QLTRPA020016	150	20	16	127	45	38	80	48	49,80
QLTRPA025016	200	25	16	140	52	38	88	52	49,80
QLTRPA025020	210	25	20	140	52	45	98	52	54,80
QLTRPA032020	340	32	20	170	62	45	111	62	61,90
QLTRPA032025	340	32	25	170	62	52	113	62	61,90
QLTRPA040020	494	40	20	186	76	45	123	70	71,00
QLTRPA040025	510	40	25	185	76	52	128	70	71,00
QLTRPA040032	540	40	32	185	76	62	131	70	71,00
QLTRPA050020	738	50	20	220	88	45	137	81	79,70
QLTRPA050025	735	50	25	220	88	52	138	81	79,70
QLTRPA050032	760	50	32	220	88	62	147	79	79,70
QLTRPA050040	820	50	40	220	88	76	150	79	79,70
QLTRPA063020	1027	63	20	235	108	45	153	80	79,50
QLTRPA063025	1041	63	25	235	108	52	153	80	79,5
QLTRPA063040	820	63	40	235	108	76	160	80	79,50
QLTRPA063050	1120	63	50	235	108	87	168	80	79,50



Legend

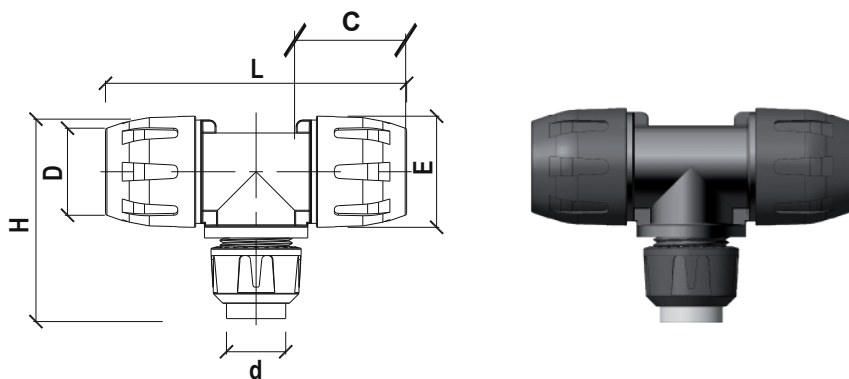
a	Angular
C	Socket depth
C1	Socket depth 1
D	Socket diameter
D1	Socket diameter 1
Dp	Hollow mill driving diameter
Dpt	Largeness
d	Thread diameter
d1	Thread diameter 1
d2	Thread diameter 2
d3	Thread diameter 3
E	Overall outside diameter ring nut
E1	Overall outside diameter ring nut 1
Gr	Weight in grams
H	Height
On	Holes number
L	Length
L1	Length 1
L2	Length 2
L Axial	Axial Length / Wheelbase
I	Misalignment
I1	Misalignment 1
r	Curvature radius (max)

HR-POLYMER - Quick easy reliable

QLTPPA - 90° Threaded Tee

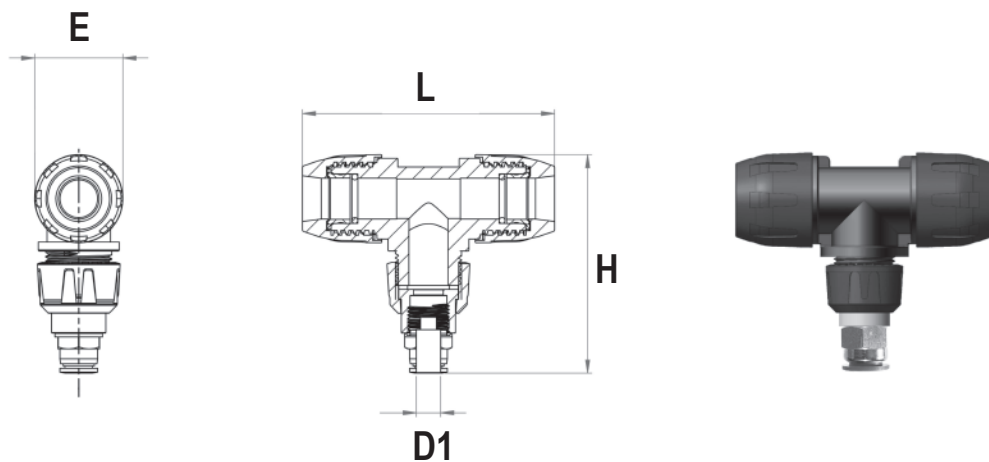
Code	Gr	D	d	L	E	H	C
QLTPPA020048	160	20	1/2"	127	45	75	49,80
QLTPPA025048	210	25	1/2"	140	51	80	54,80

NPT thread available



QLTPPF - Reducing Tee with PE piping connection

Code	Gr	D	D1	L	E	H
QLTPPA020012	195	20	12	127	44	110
QLTPPA020016	240	20	16	127	44	117
QLTPPA025012	210	25	12	139	51	117
QLTPPA025016	270	25	16	139	51	125



AIRCOM s.r.l.

via Trattato di Maastricht 13 • 15067 NOVI LIGURE (AL)

Tel. + 39 0143 329502 •

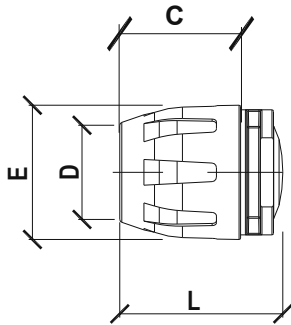
www.aircomsystem.com • info@aircomsystem.com

QLCAPA - End Cap

Code	Gr	D	L	E	C
QLCAPA016	30	16	50	37	38,80
QLCAPA020	58	20	54	45	49,80
QLCAPA025	75	25	60	51	54,80
QLCAPA032	126	32	71	61	61,90
QLCAPA040	200	40	78	75	71,00
QLCAPA050	298	50	85	87	79,70
QLCAPA063	350	63	90	108	79,50



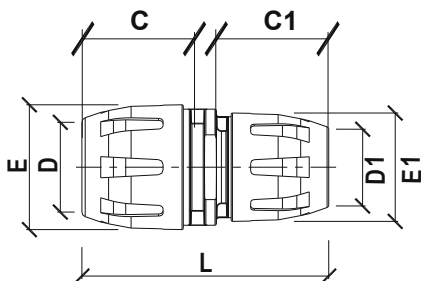
See video
16 ÷ 63 mm



P
O
L
Y
M
E
R

QLRIDPA - Reduction

Code	Gr	D	D1	L	E	E1	C	C1
QLRIDPA020016	100	20	16	X	45	37	49,80	38,80
QLRIDPA025020	120	25	20	101	51	45	54,80	49,80
QLRIDPA032025	178	32	25	115	61	51	61,90	54,80
QLRIDPA040025	230	40	25	125	75	61	71,00	54,80
QLRIDPA040032	290	40	32	133	75	51	71,00	61,90
QLRIDPA050040	450	50	40	151	87	75	79,70	71,00
QLRIDPA063040	710	63	40	X	108	75	79,50	71,00
QLRIDPA063050	710	63	50	X	108	87	79,50	79,70



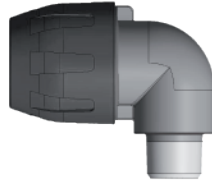
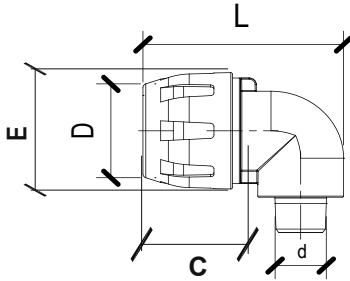
Legend

α	Angular
C	Socket depth
C1	Socket depth 1
D	Socket diameter
D1	Socket diameter 1
Dp	Hollow mill driving diameter
Dpt	Largeness
d	Thread diameter
d1	Thread diameter 1
d2	Thread diameter 2
d3	Thread diameter 3
E	Overall outside diameter ring nut
E1	Overall outside diameter ring nut 1
Gr	Weight in grams
H	Height
On	Holes number
L	Length
L1	Length 1
L2	Length 2
L Axial	Axial Length / Wheelbase
I	Misalignment
I1	Misalignment 1
r	Curvature radius (max)

HR-POLYMER - Quick easy reliable

QLGO90PM - 90° Elbow, male thread

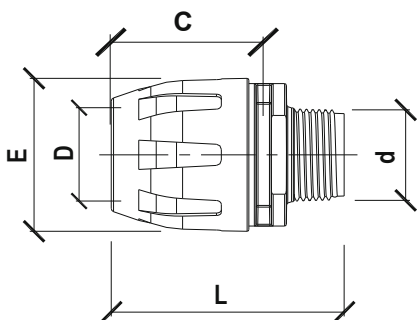
Code	Gr.	D	d	L	E	C
QLGO90PM020048	68	20	1/2"	78	45	49,80
QLGO90PM025048	95	25	1/2"	87	51	54,80
QLGO90PM025068	95	25	3/4"	87	51	54,80



QLMNPA - Union, male threaded

Code	Gr	D	d	L	E	C
QLMNPA016048	30	16	1/2"	64	37	38,80
QLMNPA020048	60	20	1/2"	68	45	49,80
QLMNPA020068	60	20	3/4"	68	45	49,80
QLMNPA025048	80	25	1/2"	71	51	54,80
QLMNPA025068	80	25	3/4"	73	51	54,80
QLMNPA025088	80	25	1"	76	51	54,80
QLMNPA032088	120	32	1"	85	61	61,90
QLMNPA032108	130	32	1.1/4"	87	61	61,90
QLMNPA040088	200	40	1"	96	75	71,00
QLMNPA040108	200	40	1.1/4"	97	75	71,00
QLMNPA040128	200	40	1.1/2"	98	75	71,00
QLMNPA050128	300	50	1.1/2"	108	87	79,70
QLMNPA050168	290	50	2"	111	87	79,70
QLMNPA063168	350	63	2"	115	108	79,50

NPT thread available



AIRCOM s.r.l.

via Trattato di Maastricht 13 • 15067 NOVI LIGURE (AL)

Tel. + 39 0143 329502 •

www.aircomsystem.com • info@aircomsystem.com

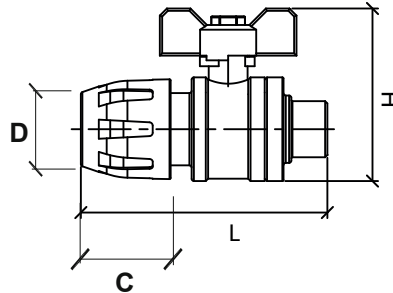
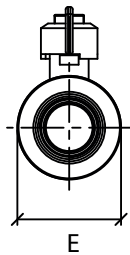
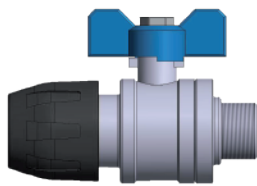
Quick Line valves

QLVAM - Quick Line male threaded connection ball valve

Code	Gr.	D	d	L	H	E	C
QLVAM016048	0,220	16	1/2"	103	60	37	38,80



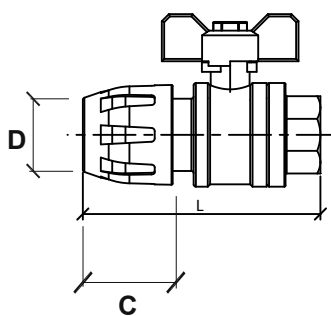
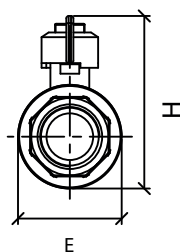
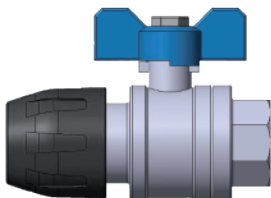
See video
16 ÷ 63 mm



P
O
L
Y
M
E
R

QLVAF - Quick Line female threaded connection ball valve

Code	Gr.	D	d	L	H	E	C
QLVAF016048	0,220	16	1/2"	103	60	37	38,80



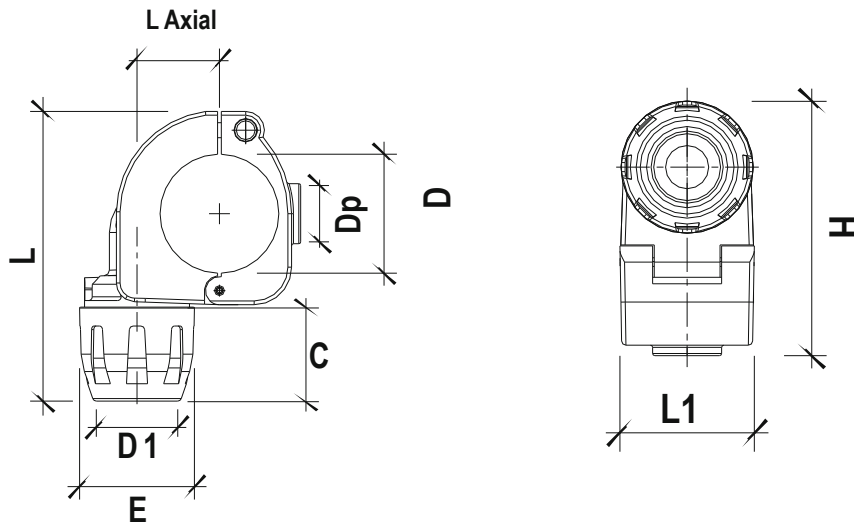
Legend

a	Angular
C	Socket depth
C1	Socket depth 1
D	Socket diameter
D1	Socket diameter 1
Dp	Hollow mill driving diameter
Dpt	Largeness
d	Thread diameter
d1	Thread diameter 1
d2	Thread diameter 2
d3	Thread diameter 3
E	Overall outside diameter ring nut
E1	Overall outside diameter ring nut 1
Gr	Weight in grams
H	Height
On	Holes number
L	Length
L1	Length 1
L2	Length 2
L Axial	Axial Length / Wheelbase
I	Misalignment
I1	Misalignment 1
r	Curvature radius (max)

Quick Branch Plugs

QLDERPA - Quick branch plug

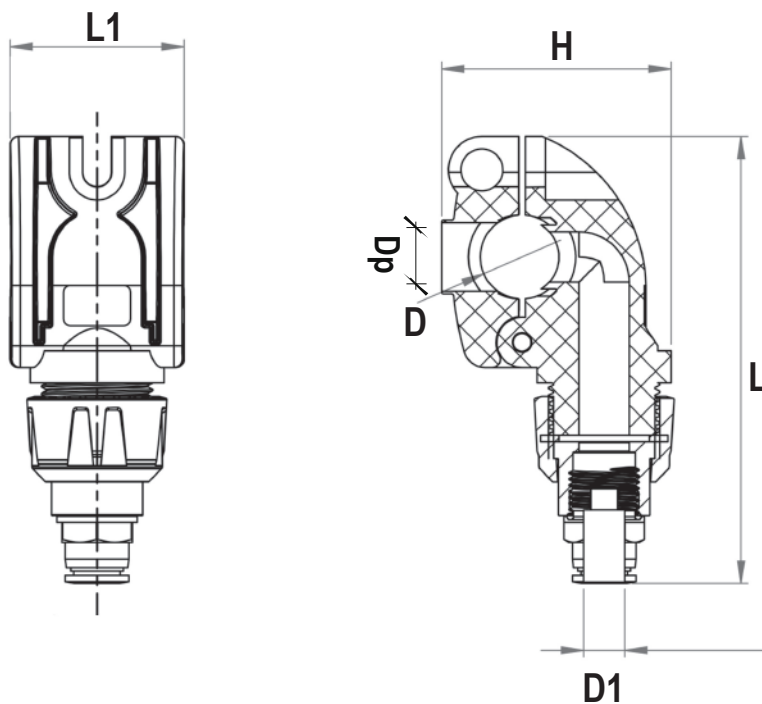
Code	Gr	D	D1	L	E	L1	Dp	H	L Axial	C
QLDERPA025016	210	25	16	113	37	52	19	69,5	25	38,80
QLDERPA025020	230	25	20	113	45	52	19	69,5	25	49,80
QLDERPA032016	200	32	16	113	37	52	19	71	25	38,80
QLDERPA032020	220	32	20	113	45	52	19	71	25	49,80
QLDERPA040016	250	40	16	125	37	52	24	84	30	38,80
QLDERPA040020	270	40	20	125	45	52	24	84	30	49,80
QLDERPA040025	280	40	25	125	51	52	24	84	30	54,80
QLDERPA050016	420	50	16	145	37	60	24	115	44	38,80
QLDERPA050020	420	50	20	145	45	60	24	115	44	49,80
QLDERPA050025	430	50	25	145	51	60	24	115	44	54,80
QLDERPA063020	400	63	20	145	45	60	24	115	44	49,80
QLDERPA063025	410	63	25	145	51	60	24	115	44	54,80
QLDERPA063032	420	63	32	148	61	60	24	115	44	61,90
QLDERPA080020	1110	80	20	220	45	63	24	168	71	49,80
QLDERPA080025	1120	80	25	220	51	63	24	168	71	54,80
QLDERPA080032	1130	80	32	220	61	63	24	168	71	61,90
QLDERPA110025	1240	110	25	220	51	63	24	168	71	54,80
QLDERPA110032	1350	110	32	220	61	63	24	168	71	61,90



Quick Branch Plugs with PE piping connection

QLDERPF - Quick branch plug with PE piping connection

Code	Gr	D	D1	L	L1	Dp	H
QLDERPF025012	320	25	12	133	52	19	68,5
QLDERPF025016	330	25	16	140	52	19	68,5
QLDERPF032012	320	32	12	133	52	19	68,5
QLDERPF032016	320	32	16	140	52	19	68,5
QLDERPF040012	370	40	12	145	53	24	83,9
QLDERPF040016	370	40	16	153	53	24	83,9
QLDERPF050012	500	50	12	170	53	24	115,3
QLDERPF050016	520	50	16	177	62	24	115,3
QLDERPF063012	490	63	12	170	62	24	115,3
QLDERPF063016	490	63	16	177	62	24	115,3



P
O
L
Y
M
E
R

Legend

a	Angular
C	Socket depth
C1	Socket depth 1
D	Socket diameter
D1	Socket diameter 1
Dp	Hollow mill driving diameter
Dpt	Largeness
d	Thread diameter
d1	Thread diameter 1
d2	Thread diameter 2
d3	Thread diameter 3
E	Overall outside diameter ring nut
E1	Overall outside diameter ring nut 1
Gr	Weight in grams
H	Height
On	Holes number
L	Length
L1	Length 1
L2	Length 2
L Axial	Axial Length / Wheelbase
I	Misalignment
I1	Misalignment 1
r	Curvature radius (max)

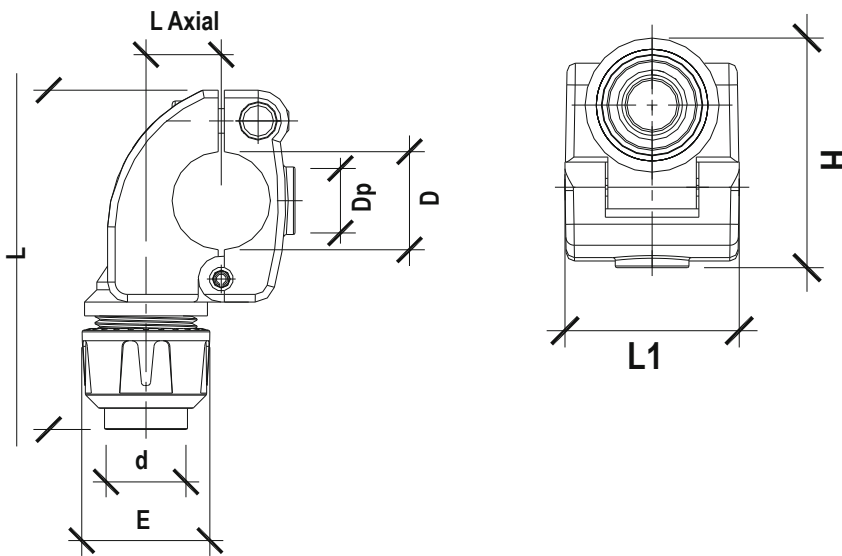
DIRDERFF - Quick branch plug, f thread outlet (aluminium)

Code	Gr	D	d	L	E	L1	Dp	L Axial
DIRDERFF025048	238	25	1/2"	113	45	52	16	24,5
DIRDERFF032048	217	32	1/2"	113	45	52	16	24,5
DIRDERFF040048	274	40	1/2"	125	45	52	20	29,6
DIRDERFF040068	302	40	3/4"	125	51	52	20	29,6
DIRDERFF050048	402	50	1/2"	145	45	60	20	31
DIRDERFF050068	487	50	3/4"	145	51	60	20	31
DIRDERFF063048	368	63	1/2"	145	45	60	20	43
DIRDERFF063068	396	63	3/4"	145	51	60	20	43
DIRDERFF063088	620	63	1"	148	61	60	20	43
DIRDERFF080048	1191	80	1/2"	220	45	63	20	71
DIRDERFF080068	1153	80	3/4"	220	51	63	20	71
DIRDERFF080088	1160	80	1"	220	61	63	20	71
DIRDERFF110068	900	110	3/4"	220	51	63	20	71
DIRDERFF110088	900	110	1"	220	61	63	20	71



See video
Quick branch plugs

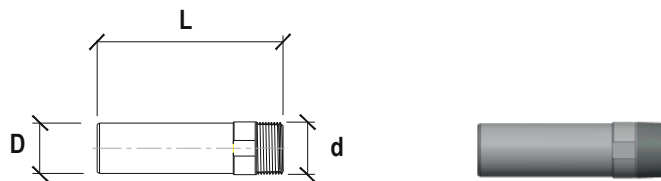
P
O
L
Y
M
E
R



Quick Line Accessories

QLPUNM - Male threaded Quick Line Spigot (aluminium)

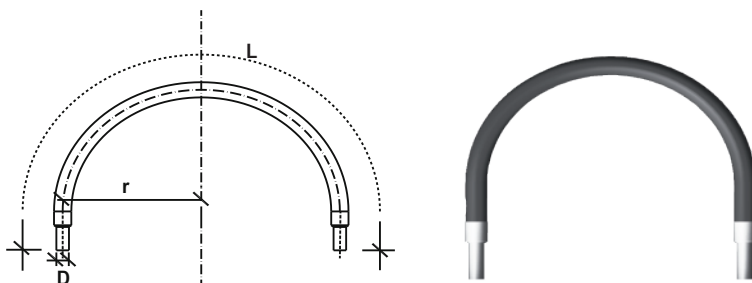
Code	Gr.	D	d	L
QLPUNM016038	20	16	3/8"	76,5
QLPUNM020048	39	20	1/2"	94,5
QLPUNM020068	54	20	3/4"	96
QLPUNM025088	86	25	1"	108
QLPUNM032108	168	32	1.1/4"	125
QLPUNM040128	175	40	1.1/2"	136
QLPUNM050168	390	50	2"	148
QLPUNM063168	477	63	2"	158
QLPUNM080248	732	80	3"	171,5



QLFLEX - Compensator hose, male connection

Code	Gr	D	< r >		l1*	L
QLFLEX020	809	20	15	20	100	800
QLFLEX025	925	25	18	25	140	820
QLFLEX032	1200	32	23	32	180	960
QLFLEX040	1580	40	29	38	180	1200
QLFLEX050	3400	50	36	47	220	1430
QLFLEX063	4800	63	45	59	240	1650

* axial seismic movement



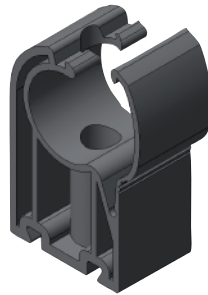
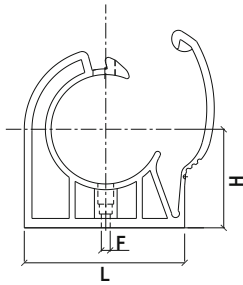
Legend

a	Angular
C	Socket depth
C1	Socket depth 1
D	Socket diameter
D1	Socket diameter 1
Dp	Hollow mill driving diameter
Dpt	Largeness
d	Thread diameter
d1	Thread diameter 1
d2	Thread diameter 2
d3	Thread diameter 3
E	Overall outside diameter ring nut
E1	Overall outside diameter ring nut 1
Gr	Weight in grams
H	Height
On	Holes number
L	Length
L1	Length 1
L2	Length 2
L Axial	Axial Length / Wheelbase
l	Misalignment
l1	Misalignment 1
r	Curvature radius (max)

DIRFEM8CF - Bracket M8 thread insert pieces

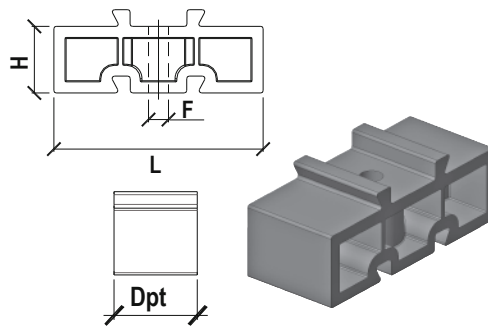
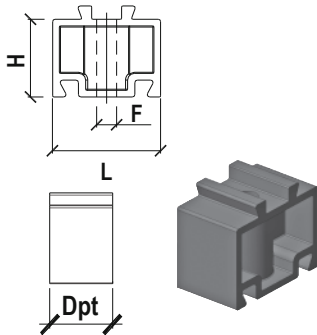
Code	Gr	D	L	H	F	Dpt
DIRFEM8016CF	9	16	31	35	M8/M10	30
DIRFEM8020CF	20	20	31	35	M8/M10	30
DIRFEM8025CF	30	25	38	35	M8/M10	30
DIRFEM8032CF	70	32	49	35	M8/M10	30
DIRFEM8040CF	80	40	60	70	M8/M10	40
DIRFEM8050CF	85	50	75	70	M8/M10	40
DIRFEM8063CF	110	63	94	70	M8/M10	40
DIRFEM8080CF	250	80	120	100	M8/M10	49
DIRFEM8110CF	330	110	163	100	M8/M10	49
DIRFEM168CF	403	168,3	225	105	M8/M10	160
DIRFEM220CF	645	220	280	135	M8/M10	215

P
O
L
Y
M
E
R



DIRSPE - Spacers

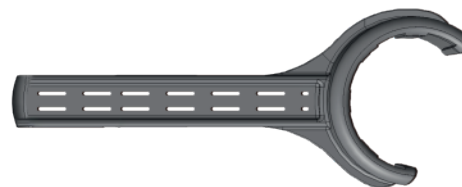
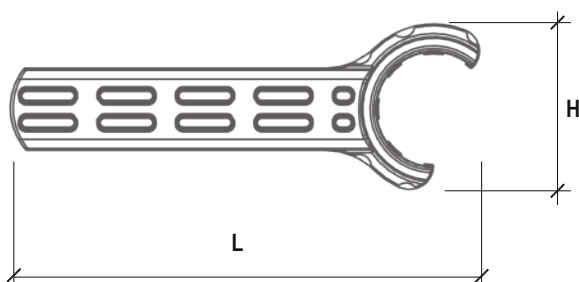
Code	Gr	D	L	H	F	Dpt
DIRSPE020032	19	20-32	49	35	9	30
DIRSPE040063	55	40-63	94	30	9	40



Quick Line Tools

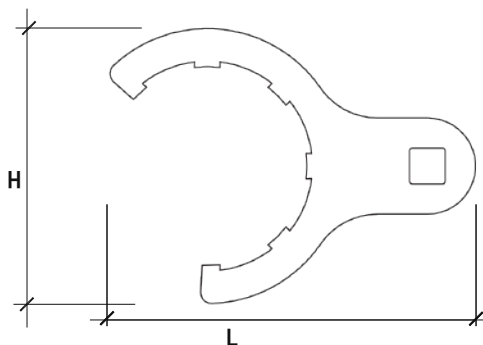
QLCLEPA - Quick Line nut wrench for Aircom fittings

Code	Gr	D	L	H
QLCLEPA016	66	16	20,1	6
QLCLEPA020	68	20	21,2	6,2
QLCLEPA025	83	25	22,5	6,4
QLCLEPA032	86	32	25,8	7,8
QLCLEPA040	88	40	26,5	9,4
QLCLEPA050	114	50	30,7	10
QLCLEPA063	110	63	31,5	11,9



QLCLEINPA - Torque wrench coupling for fittings in HR-Polymer

Code	Gr	D	L	H	Nm	Dpt
QLCLEINPA016	50	16	78	52	10	6
QLCLEINPA020	80	20	97	64	15	6
QLCLEINPA025	100	25	105	70	20	6
QLCLEINPA032	120	32	117	82	30	6
QLCLEINPA040	115	40	133	100	40	6
QLCLEINPA050	149	50	151	120	45	6
QLCLEINPA063	140	63	167	136	50	6



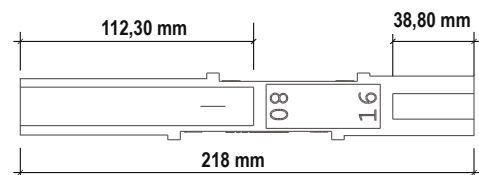
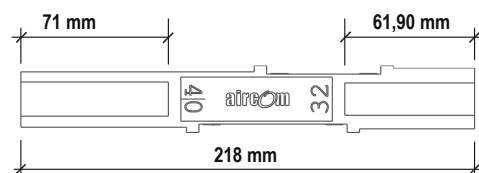
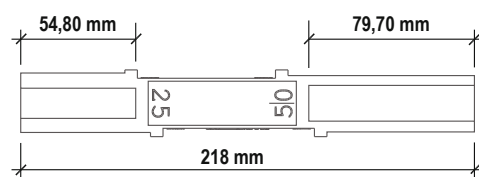
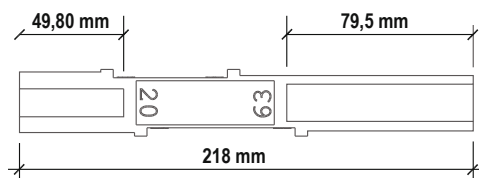
Legend

a	Angular
C	Socket depth
C1	Socket depth 1
D	Socket diameter
D1	Socket diameter 1
Dp	Hollow mill driving diameter
Dpt	Largeness
d	Thread diameter
d1	Thread diameter 1
d2	Thread diameter 2
d3	Thread diameter 3
E	Overall outside diameter ring nut
E1	Overall outside diameter ring nut 1
Gr	Weight in grams
H	Height
On	Holes number
L	Length
L1	Length 1
L2	Length 2
L Axial	Axial Length / Wheelbase
I	Misalignment
I1	Misalignment 1
r	Curvature radius (max)

HR-POLYMER - Quick easy reliable

QLMIS - Pipe-fittings insertion meter D 16-80

Code	Gr.	D
QLMIS016080	84,7	16-80



DIRSM - Deburrers and Reamers

Code	Gr.	D
DIRSMTR016050	558,70	16-50
DIRSM063110	1747,50	63-110



AIRCOM s.r.l.

via Trattato di Maastricht 13 • 15067 NOVI LIGURE (AL)

Tel. + 39 0143 329502 •

www.aircomsystem.com • info@aircomsystem.com



Air is our **Future**

AIRCOM s.r.l.

Via Trattato di Maastricht 13
15067 Novi Ligure (AL) - ITALY
Ph. +39 0143 329502

www.aircomsystem.com
info@aircomsystem.com

